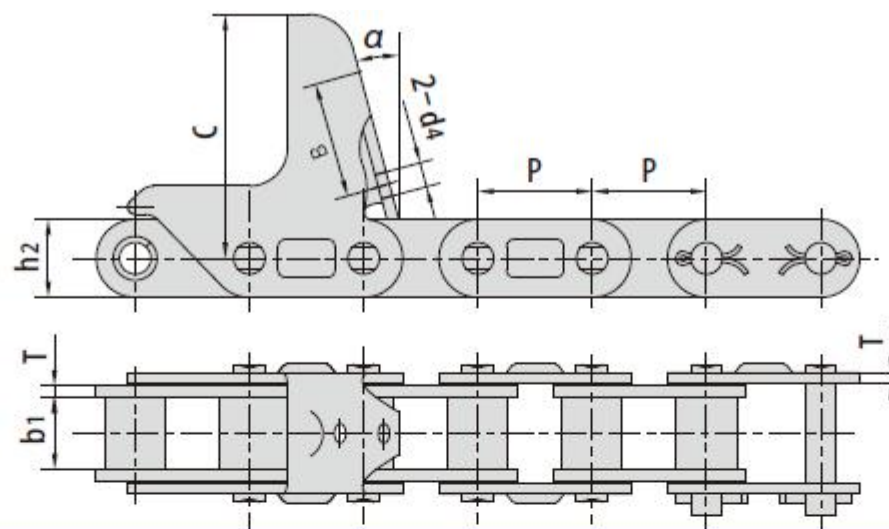
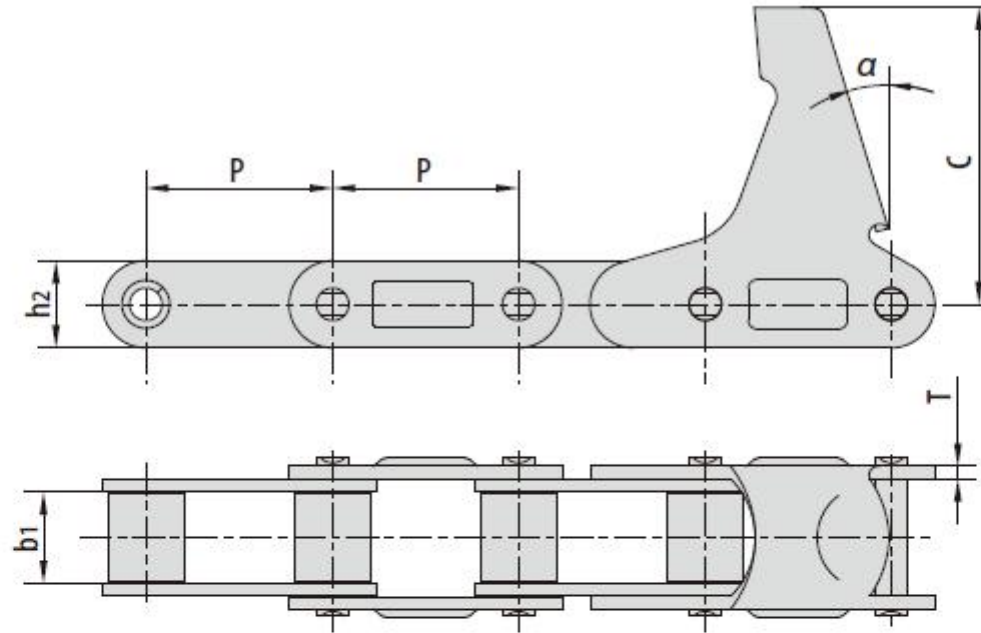


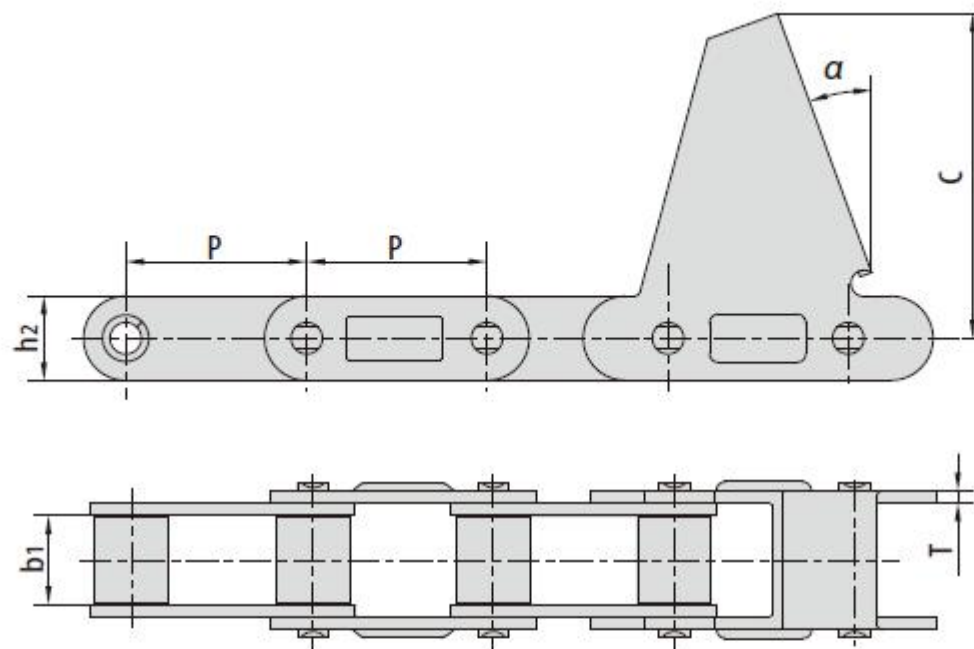
Chain No.	P	b <sub>1</sub>	h <sub>2</sub>	t/T	C	B	d <sub>4</sub>	$\alpha$
	mm	mm	mm	mm	mm	mm	mm	
CA620F5-C6EJ	40.25	24.51	20.20	3.25/3.10	66.00	24.00	6.00	15°
CA555-C6E	41.40	12.70	19.30	3.10	63.50	-	-	15°
CA555-C6EJ	41.40	12.70	19.30	3.25	66.00	25.40	7.30	15°
CA555-C6EJF1	41.40	12.70	19.30	3.10	66.00	25.40	5.50	15°
CA555-C6EJF2	41.40	12.70	19.30	3.10	60.50	19.00	7.00	15°
CA555F3-C6EJ	41.40	12.70	19.30	3.15	66.00	25.40	7.30	15°
CA620F3-C6EJ	42.01	24.51	20.20	3.25/3.10	66.00	24.00	6.00	15°
CA620F7-C6EJ	42.01	25.00	20.20	3.10	66.00	24.00	6.00	15°



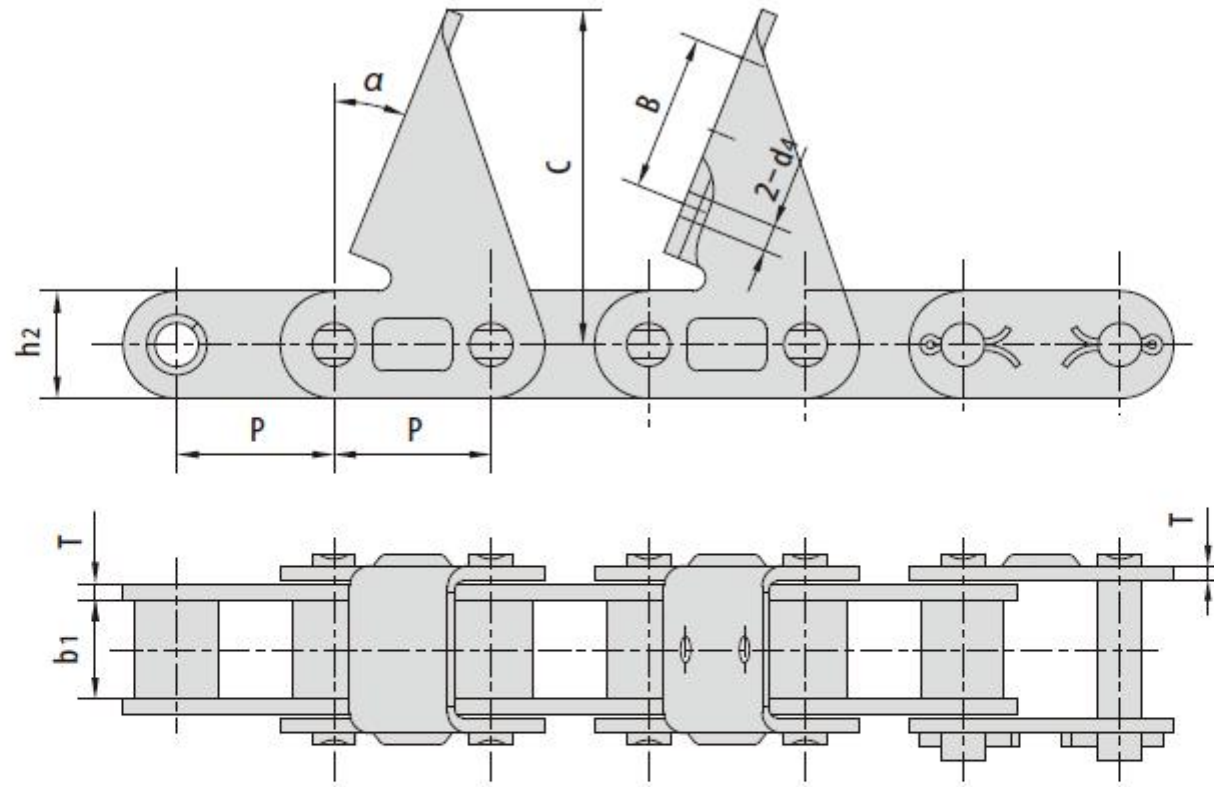
Chain No.	P	b <sub>1</sub>	h <sub>2</sub>	B	d <sub>4</sub>	T	C	α
	mm	mm	mm	mm	mm	mm	mm	
CA627-M 40A	30.0	19.05	20.5	36.1	6.5	3.0	63.0	15.0°
CA627-CPEF6	30.0	19.05	20.5	30.0	6.0	3.0	63.3	22.5°
CA627-CPEF7	30.0	19.05	20.5	35.5	6.5	3.0	63.0	15.0°
CA627-CPEF10	30.0	19.05	20.5	30.0	6.0	3.0	63.3	22.5°
CA627-CPEF11	30.0	19.05	20.5	30.0	6.5	3.0	63.0	22.5°
CA627-CPEF14	30.0	19.05	20.5	25.5	6.5	3.0	63.0	15.0°
CA627-CPEF15	30.0	19.05	20.5	30.0	6.5	3.0	63.0	7.0°
CA627-CPEF17	30.0	19.05	20.5	30.0	6.0	3.0	64.0	22.5°
CA2060H-C6EF4	38.1	12.57	18.0	-	-	3.3	63.5	22.5°
CA550-CPEF9	41.4	19.81	19.3	-	-	2.8	63.0	21.0°



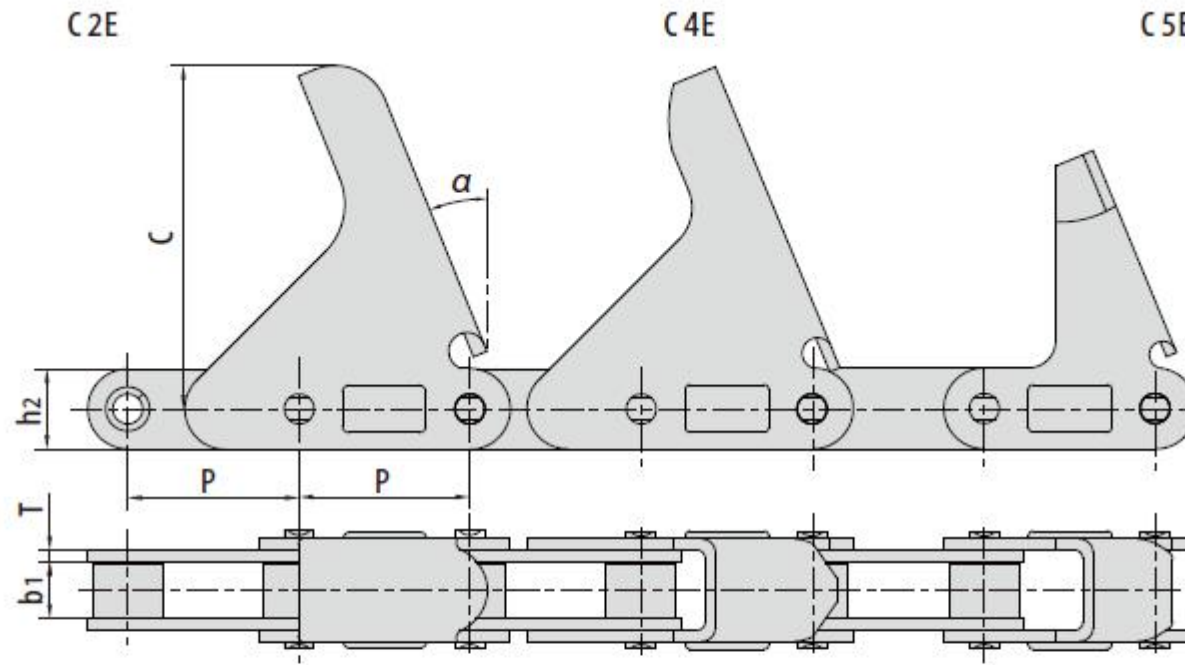
Chan No.	P	b1	h2	T	C	$\alpha$
	mm	mm	mm	mm	mm	
CA550-LV41N	41.4	19.81	19.3	2.8	65.8	15°
CA550-LV41NF1	41.4	19.81	19.3	2.8	68.5	20°
CA550-CPEF3	41.4	19.81	19.3	2.8	72.0	15°
CA550-CPEF6	41.4	19.81	19.3	3.0	54.8	15°



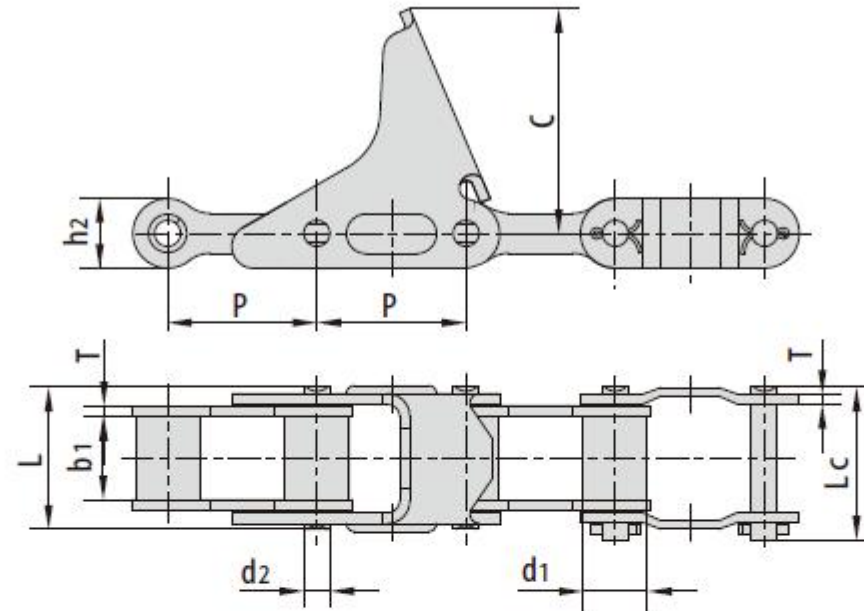
Chain No.	P	b1	h2	T	C	$\alpha$
	mm	mm	mm	mm	mm	
38.4VBF12	38.4	19.05	20.5	3.0	62.5	22.5°
38.4VBF14	38.4	19.05	20.5	3.0	65.0	22.0°
CA550-CPE	41.4	19.81	19.3	2.8	74.5	20.0°



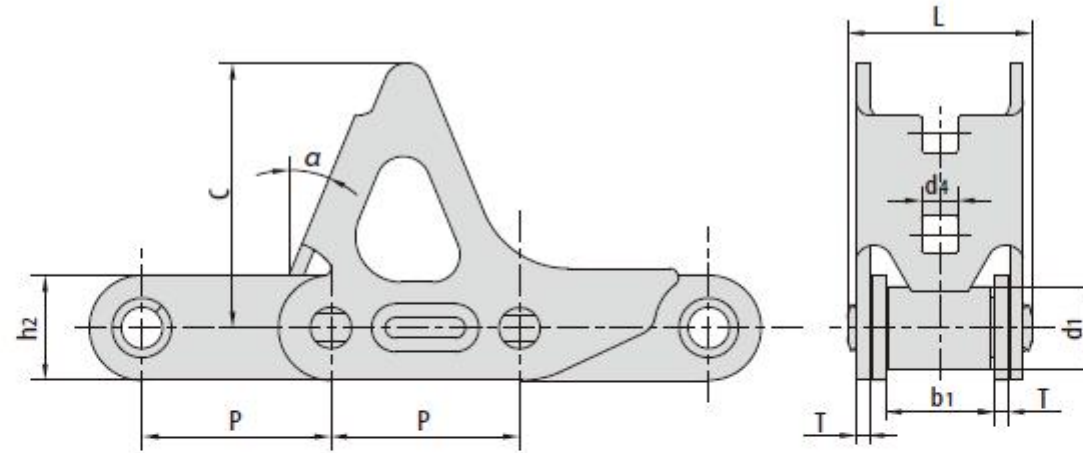
Chain No.	P	b <sub>1</sub>	h <sub>2</sub>	B	d <sub>4</sub>	T	C	α
	mm	mm	mm	mm	mm	mm	mm	
CA627-CPE	30.0	19.05	20.5	-	-	3.0	64.0	22.0°
CA627-CPEF3	30.0	19.05	20.5	30.0	5.0	3.0	64.0	22.0°
CA2060HF2-CPEF1	38.1	12.70	19.3	30.0	8.3	3.1/2.8	60.0	22.5°



Chain No.	P	b <sub>1</sub>	h <sub>2</sub>	T	c	$\alpha$
	mm	mm	mm	mm	mm	
CA2060H-C2E	38.1	12.57	18.0	3.25	76.2	22.5°
CA2060H-C4E	38.1	12.57	18.0	3.25	75.8	22.5°
CA2060H-C5E	38.1	12.57	18.0	3.25	57.2	22.5°

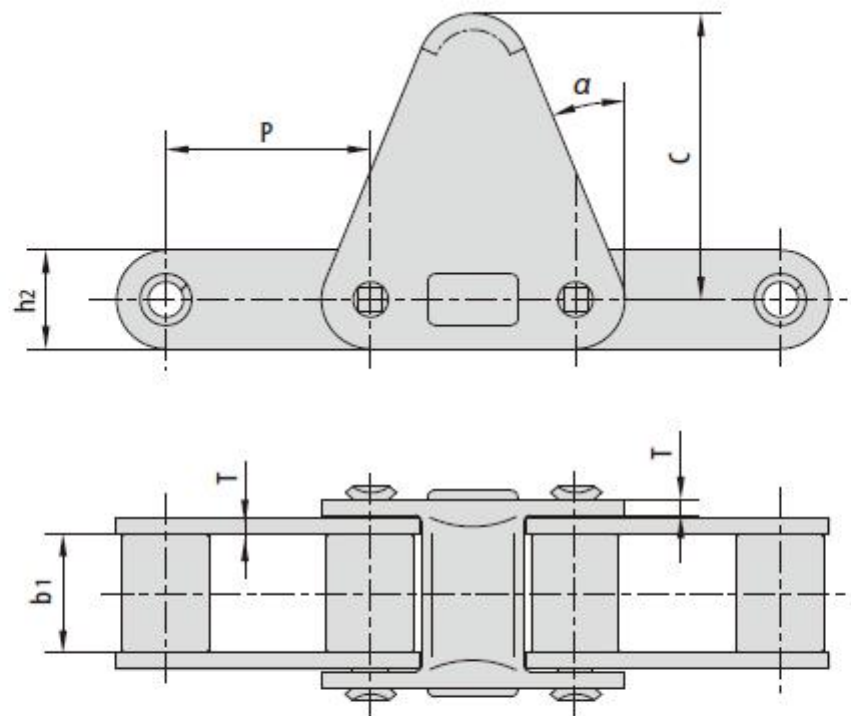


Chain No.	节距	滚子直径	内节内宽	销轴直径	销轴长度		附板尺寸			抗拉强度	每米长重
	Pitch	Roller diameter	Width between inner plates	Pin diameter	P in length		Attachment dimension			Tensile strength	Weight per meter
	P	d1 max	b1 min	d2 max	L max	Lc max	h2 max	T max	C max	Q min	q
	mm	mm	mm	mm	mm	mm	mm	mm	mm	kN/bf	kg/m
CA555F1	41.4	17.85	23.0	8.2	39.5	42.4	20.0	3.0	84.0	39.1/8795	2.99
CA555F2	41.4	17.85	23.0	8.2	39.5	42.4	20.0	3.0	62.5	39.1/8795	2.82

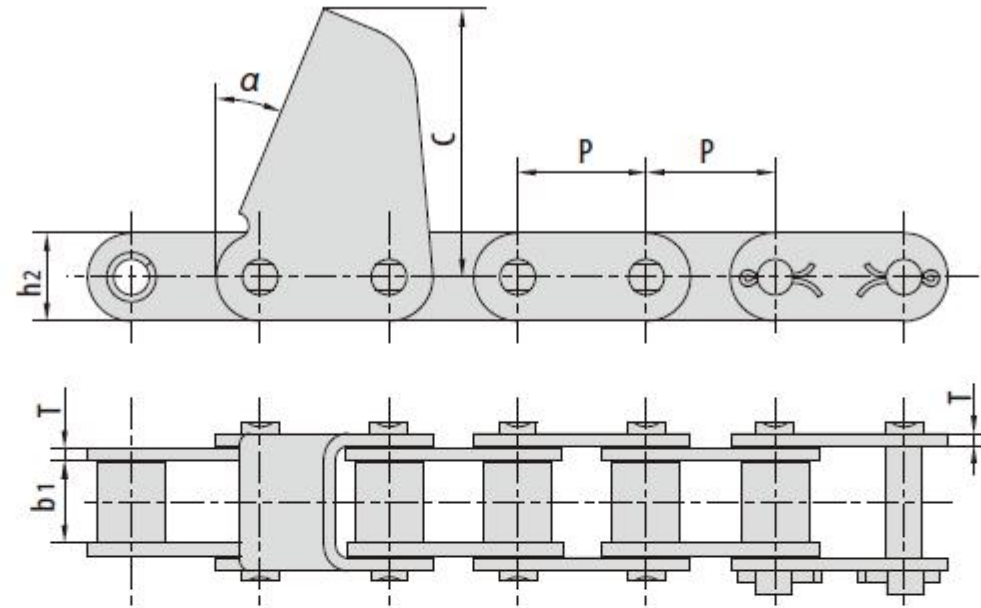


Chain No.	节距	滚子直径	内节内宽	销轴长度	链板尺寸					抗拉强度	每米长重
	Pitch	Roller diameter	Width between inner plates	Pin length	Plate dimension					Tensile strength	Weight per meter
	$P$	$d_{1\max}$	$b_{1\min}$	$L_{\max}$	$h_{2\max}$	$T$	$C$	$d_4$	$a$	$Q_{\min}$	$q$
mm	mm	mm	mm	mm	mm	mm	mm		kN/bf	kg/m	
55VDF1-CPEF	41.4	17.90	22.50	39.7	23.0	3.0	58.0	8.1	22.5°	50/11248	3.68
55VF6-CPEF	41.4	15.88	22.23	41.6	22.0	4/3	51.5	-	28.0°	45/10117	3.35

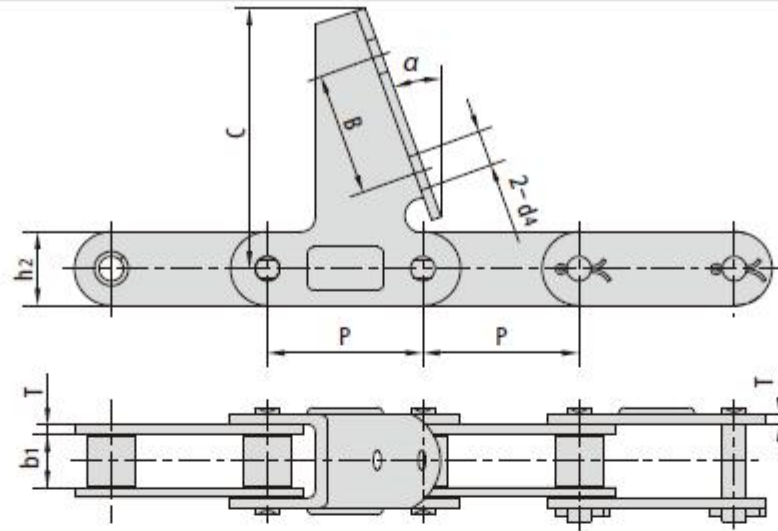




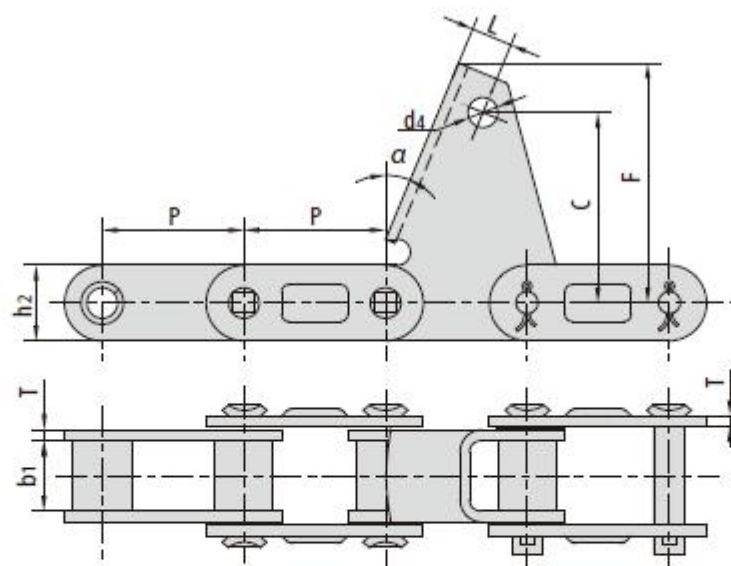
Chain No.	P	b <sub>1</sub>	h <sub>2</sub>	T	C	α
	mm	mm	mm	mm	mm	
CA620-C30E	42.01	24.51	20.2	3.25	58.7	22.5°



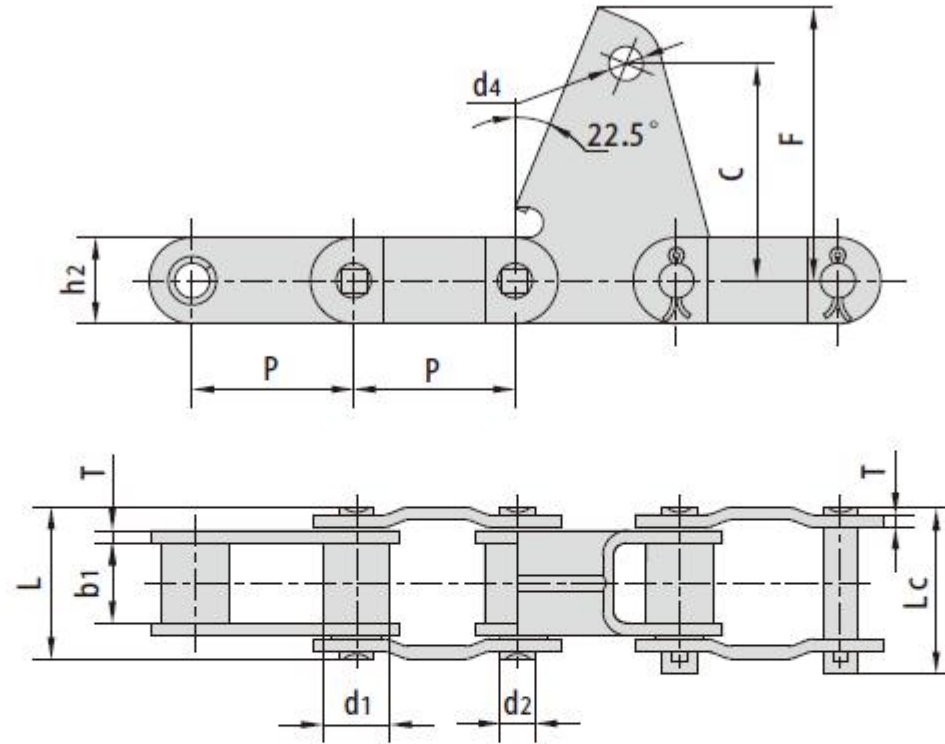
Chain No.	P	b <sub>1</sub>	h <sub>2</sub>	T	c	α
	mm	mm	mm	mm	mm	
CA627-CPEF1	30.0	19.05	20.5	3.0	62.5	22.5°
CA627-CPEF2	30.0	19.60	20.5	3.0	62.5	22.5°
CA627-CPEF4	30.0	19.05	20.5	3.0	62.5	22.5°
CA627-CPEF9	30.0	19.05	20.5	3.0	69.0	22°
CA550-CPEF2	41.4	19.81	19.3	2.8	63.5	15°



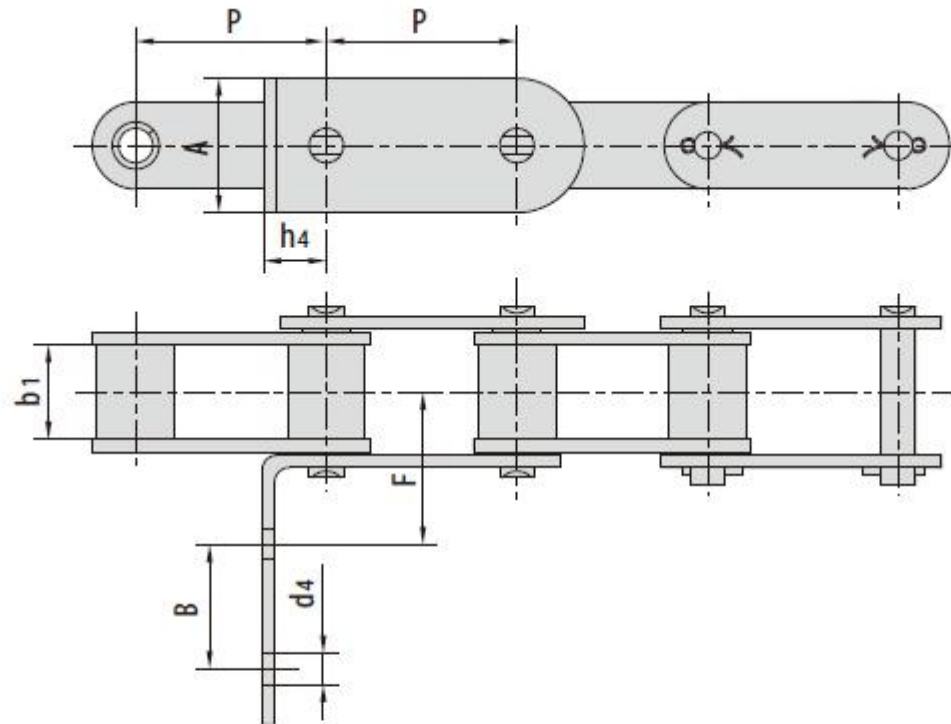
Chain No.	P	b <sub>1</sub>	h <sub>2</sub>	d <sub>4</sub>	T	B	C	α
	mm	mm	mm	mm	mm	mm	mm	
CA627-CPEF5	30.0	19.05	20.5	6.30×6.30	3.00	30.0	62.5	22.5°
CA627-CPEF13	30.0	19.05	20.5	6.60×6.60	3.00	30.0	63.5	22.5°
CA627-CPEF16	30.0	19.60	20.5	6.50	3.00	30.0	62.5	22.5°
CA627-CPEF18	30.0	19.05	20.5	6.50	3.00	30.0	62.5	22.5°
CA2060H-7AUE	38.1	12.57	18.0	8.50	3.25	30.0	57.2	22.5°
CA2060H-CPEF2	38.1	12.57	18.0	-	3.25	-	57.0	22.0°
CA2060H-CPEF3	38.1	12.57	18.0	6.75	3.25	25.4	57.0	22.0°
CA414-CPEF1	41.4	15.88	20.1	-	3.00	-	66.0	20.0°
CA550-CPEF1	41.4	19.81	19.3	-	2.80	-	63.5	15.0°
CA550-CPEF4	41.4	19.81	19.3	-	2.80	-	75.8	20.0°



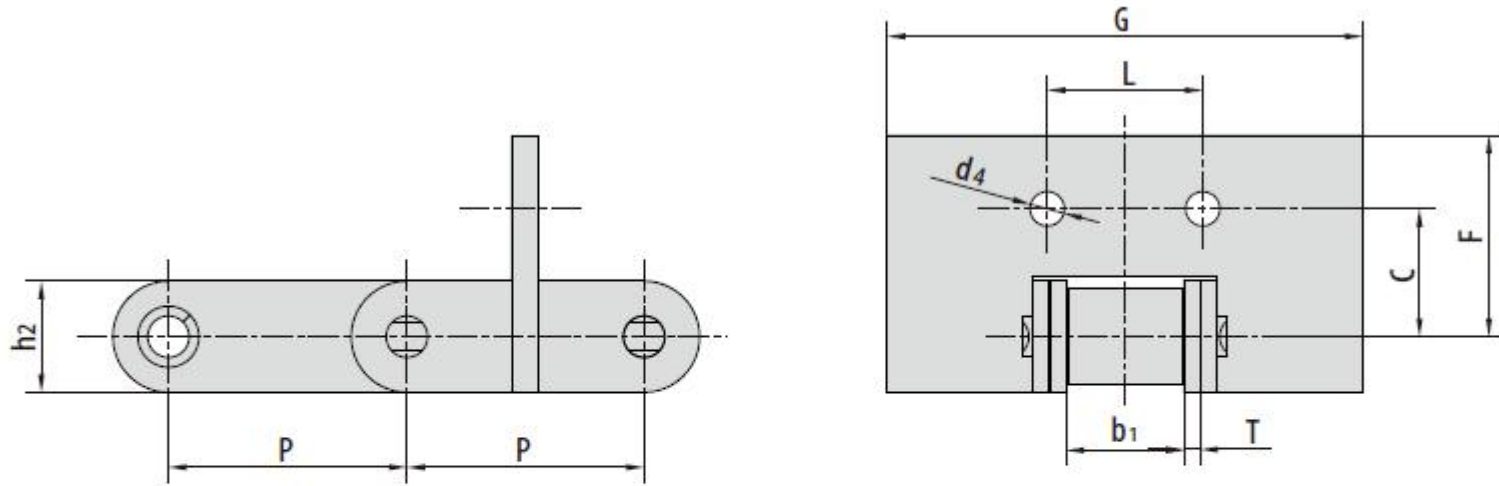
Chain No.	P	b <sub>1</sub>	h <sub>2</sub>	L	d <sub>4</sub>	T	C	F	$\alpha$
	mm	mm	mm	mm	mm	mm	mm	mm	
38.4VBF4	38.4	19.05	20.5	15.0	8.1	3.0	48.0	64.0	22°



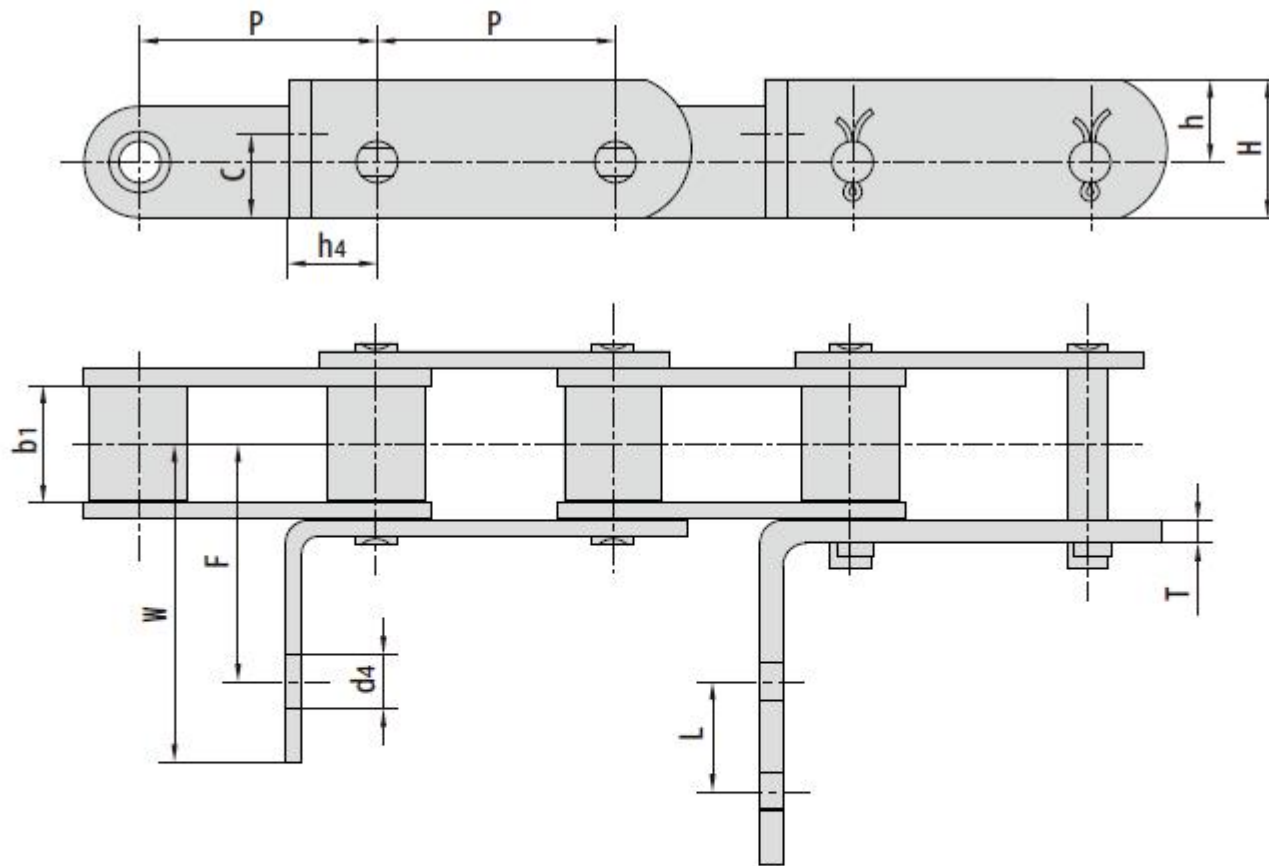
Chain No.	节距	滚子直径	内节内宽	销轴直径	销轴长度		链板尺寸					抗拉强度	每米长重
	Pitch	Roller diameter	Width between inner plates	Pin diameter	Pin length	Pin length	Plate dimension					Tensile strength	Weight per meter
	p	d1 max	b1 min	d2 max	L max	Lc max	h2 max	T max	C	F	d4	Q min	q
mm	mm	mm	mm	mm	mm	mm	mm	mm	mm	mm	mm	kN/bf	kg/m
38.4VBF2	38.4	15.88	19.05	8.28	36.1	39.1	20.5	3.0	51.6	65	8.1	50/11247	2.33



Chain No.	P	b <sub>1</sub>	A	B	F	h <sub>4</sub>	d <sub>4</sub>
	mm	mm	mm	mm	mm	mm	mm
38.4RF2	38.4	19.05	27.0	25	31.3	12.7	6.8
CA550F21	41.4	19.81	19.3	-	41.7	12.5	7.0

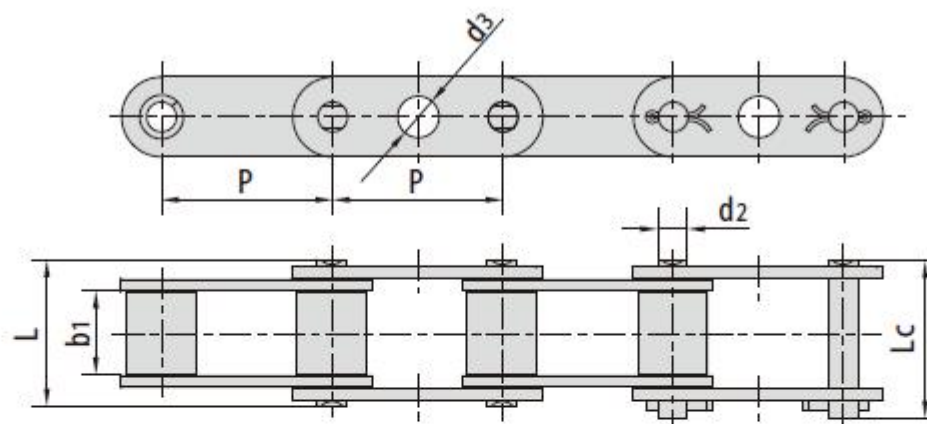


Chain No.	P	b <sub>1</sub>	C	F	L	G	h <sub>2</sub>	T	d <sub>4</sub>
	mm	mm	mm	mm	mm	mm	mm	mm	mm
CA550F11	41.4	19.81	22.2	34.9	27.0	82.6	19.3	2.8	5.95

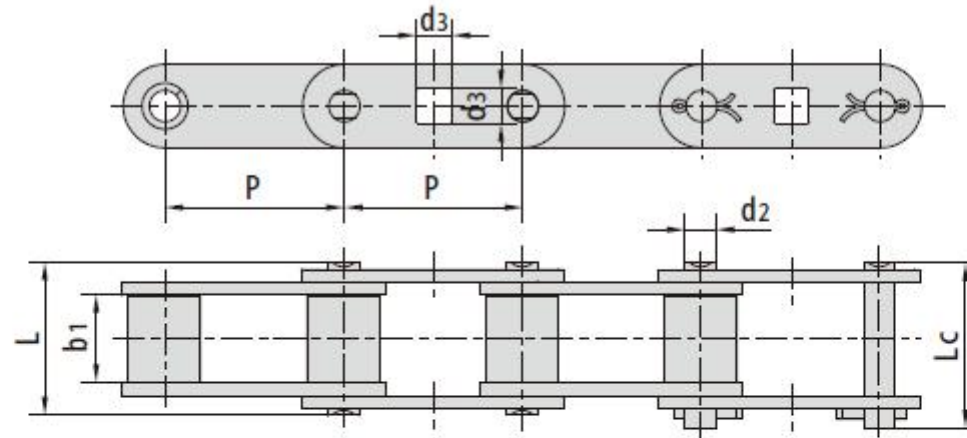


Chain No.	P	b <sub>1</sub>	C	h	H	h <sub>4</sub>	F	L	W	T	d <sub>4</sub>
	mm	mm	mm	mm	mm	mm	mm	mm	mm	mm	mm
CA550-G X	41.4	19.81	14.5	14.3	24.0	15.5	41.7	19.1	73.4	4.00	6.75
CA550-G 27	41.4	19.81	14.5	14.3	24.0	15.9	41.7	-	55.2	2.80	8.33
CA550-G 27S	41.4	19.81	14.5	14.3	24.0	15.9	41.7	-	55.2	3.25	8.33

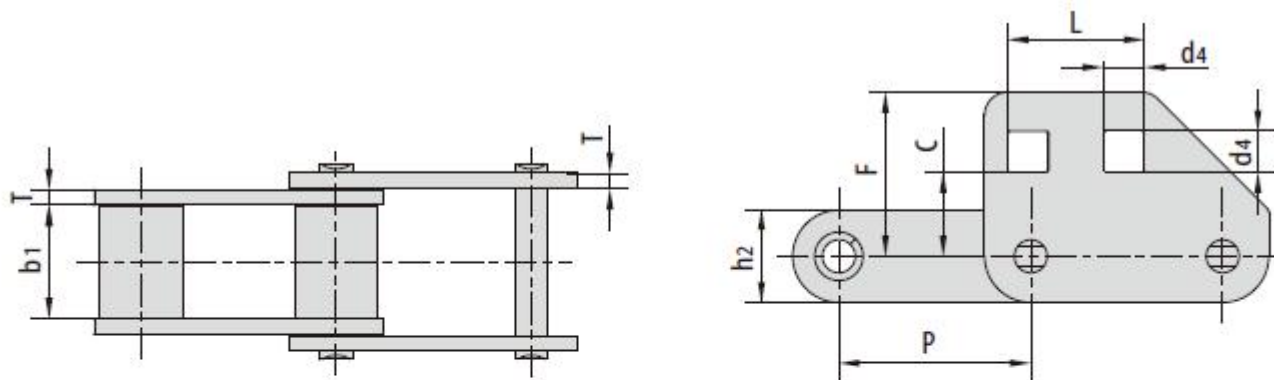




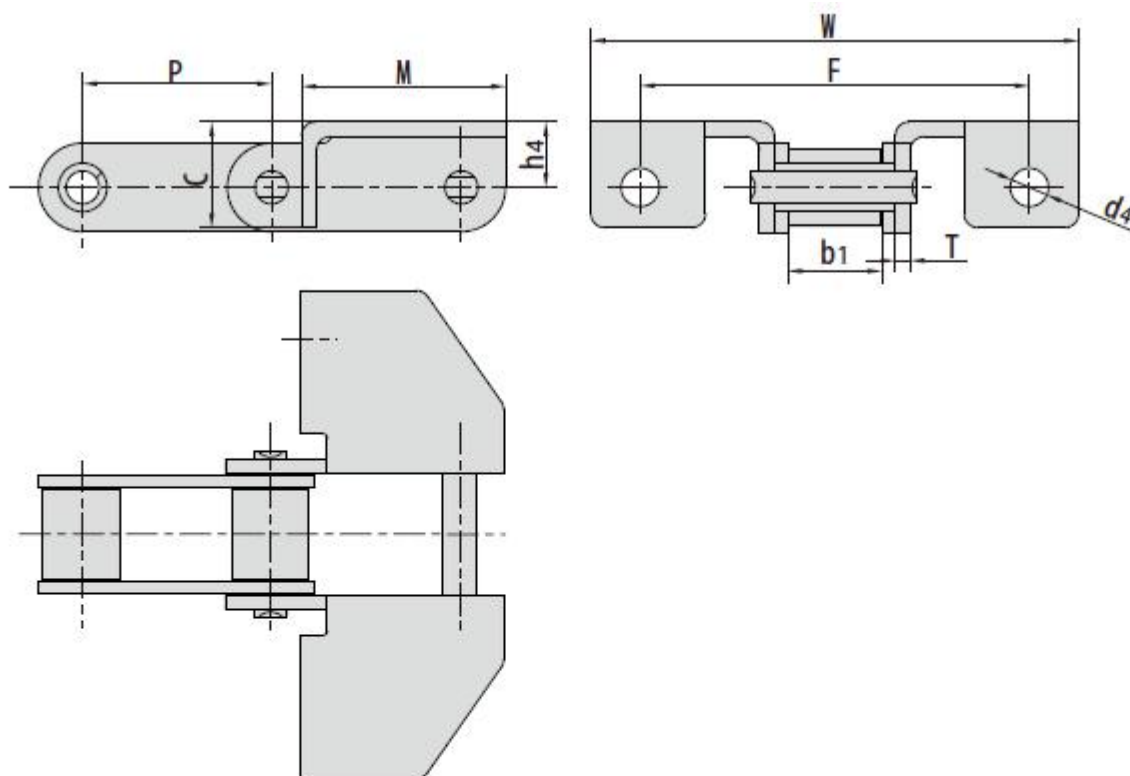
Chain No.	P	b1	d2	d3	L	Lc
	mm	mm	mm	mm	mm	mm
CA550GKF1	41.4	19.81	7.19	10	35	38
CA550GKF3	41.4	19.81	7.19	12	35	38



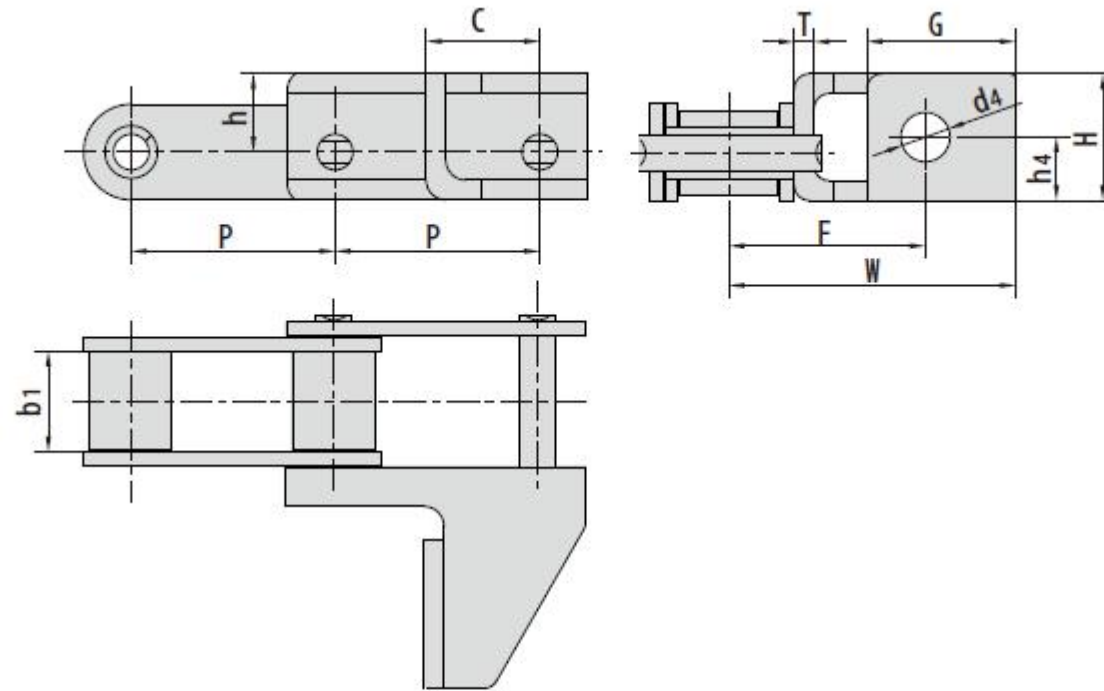
Chain No.	P	b <sub>1</sub>	d <sub>2</sub>	d <sub>3</sub>	L	L <sub>c</sub>
	mm	mm	mm	mm	mm	mm
CA550GKF2	41.4	19.81	7.19	8.3	35	38



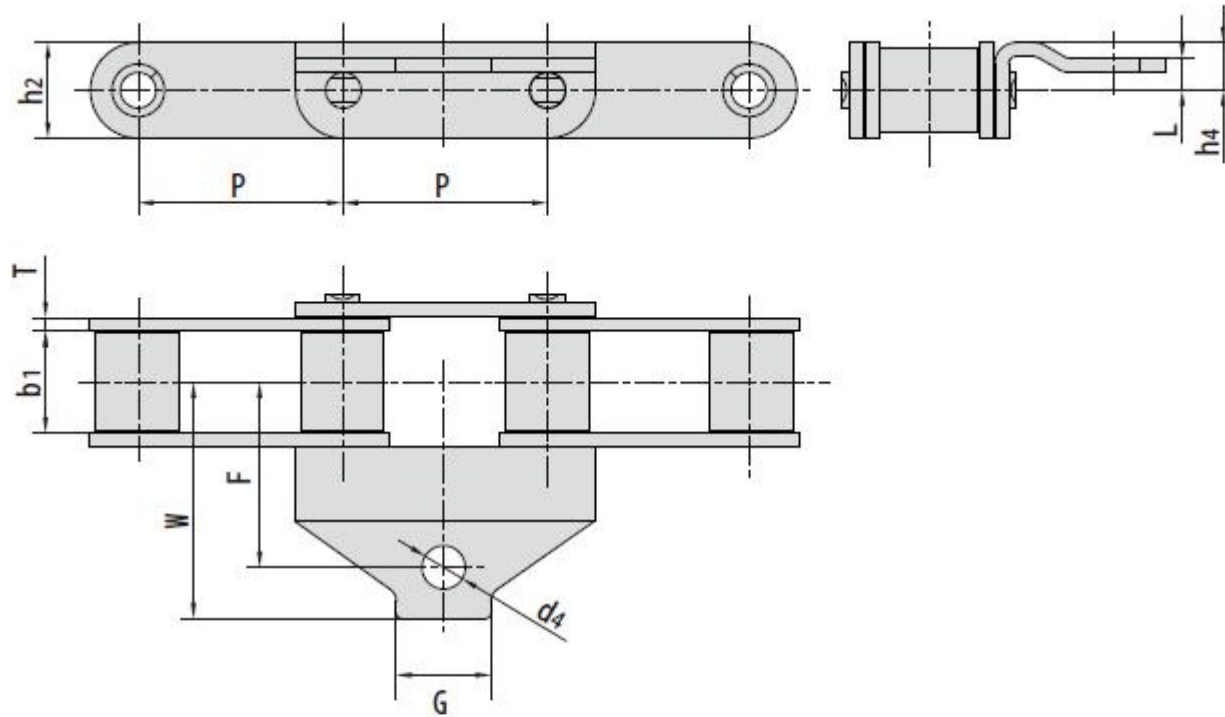
Chain No.	P	b1	L	T	C	F	d4
	mm	mm	mm	mm	mm	mm	mm
CA 620F2	42.01	24.51	30	3.25	18.4	35.9	9



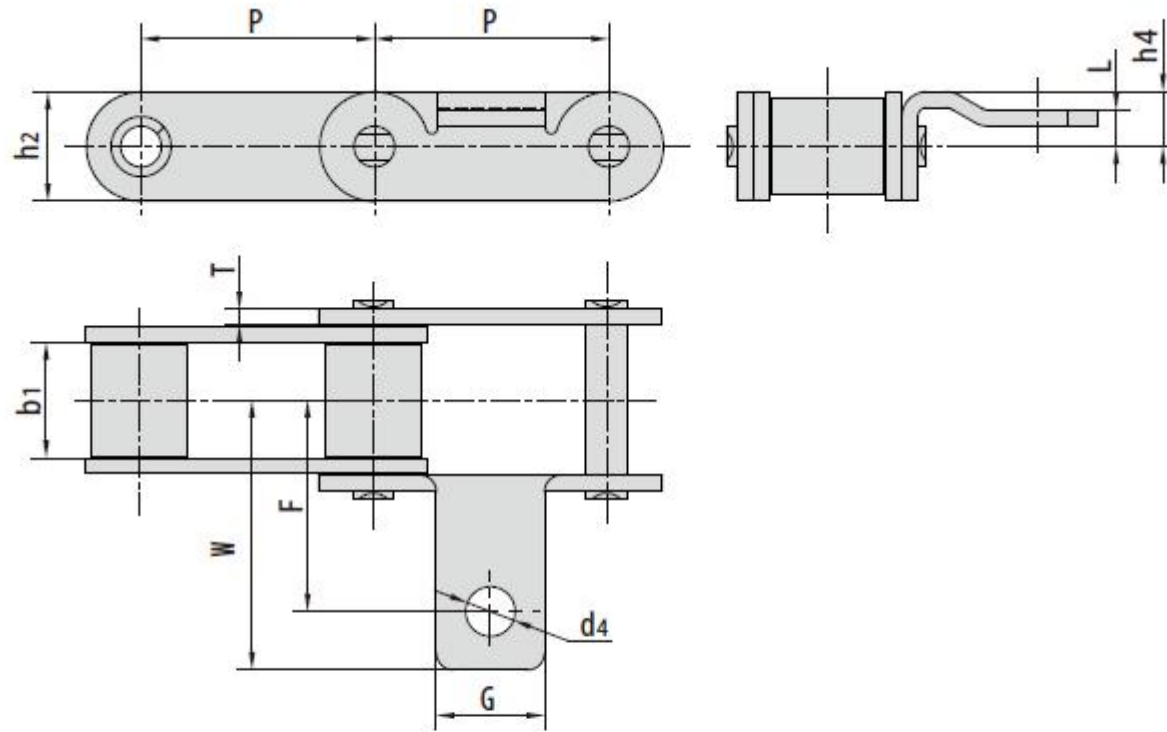
Chain No.	P	b <sub>1</sub>	M	C	F	W	T	h <sub>4</sub>	d <sub>4</sub>
	mm	mm	mm	mm	mm	mm	mm	mm	mm
CA550-F7A	41.4	19.81	44.5	23.3	84.9	106.4	3.25	14.3	8.33
CA550G 57	41.4	19.81	44.5	23.3	-	106.4	3.25	14.3	-



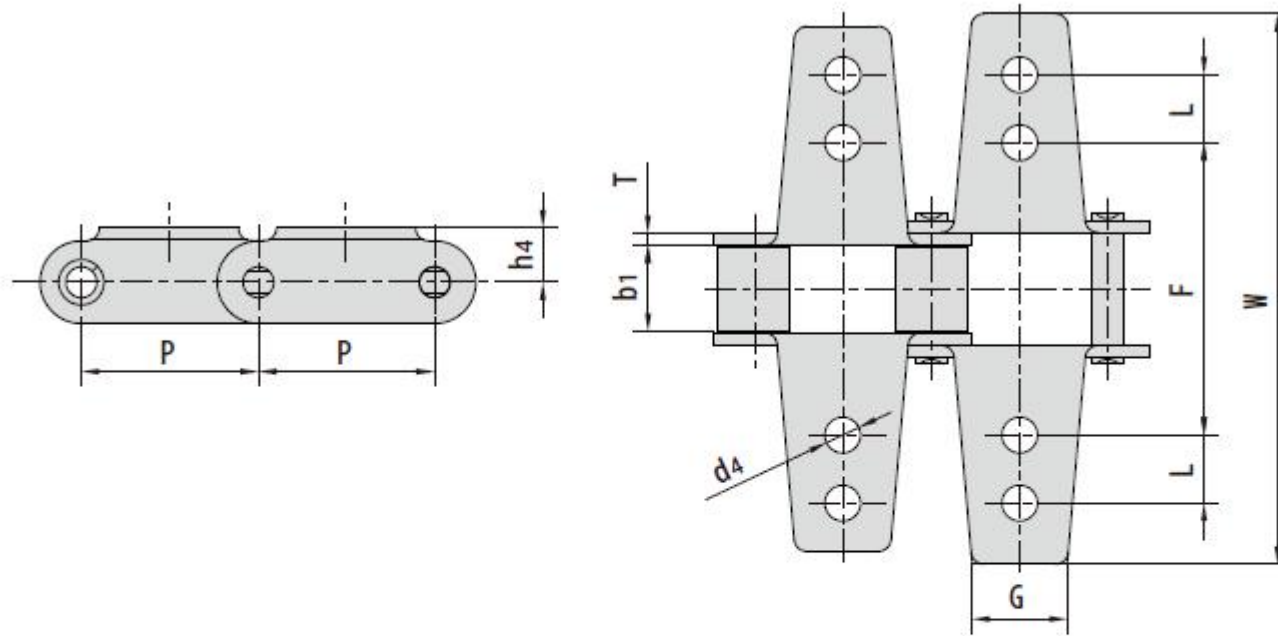
Chain No.	P	b <sub>1</sub>	C	h	H	G	h <sub>4</sub>	F	W	T	d <sub>4</sub>
	mm	mm	mm	mm	mm	mm	mm	mm	mm	mm	mm
CA550-G 50	41.4	19.81	23.0	17.5	27.2	30.0	12.9	39.7	57.9	4.0	9.92
CA550-G 50S	41.4	19.81	23.0	15.9	25.6	30.0	12.9	39.7	57.9	4.0	9.92
P41.4F8	41.4	20.00	24.5	13.8	31.6	25.5	13.8	40.1	55.8	4.0	13.60



Chain No.	P	b <sub>1</sub>	G	F	W	h <sub>2</sub>	L	h <sub>4</sub>	T	d <sub>4</sub>
	mm	mm	mm	mm	mm	mm	mm	mm	mm	mm
CA550AH	41.4	19.81	19.1	37.3	47.6	19.3	6.4	9.65	2.8	8.73
CA550AHF1	41.4	19.81	25.4	37.3	47.6	19.3	6.4	9.70	2.8	8.71

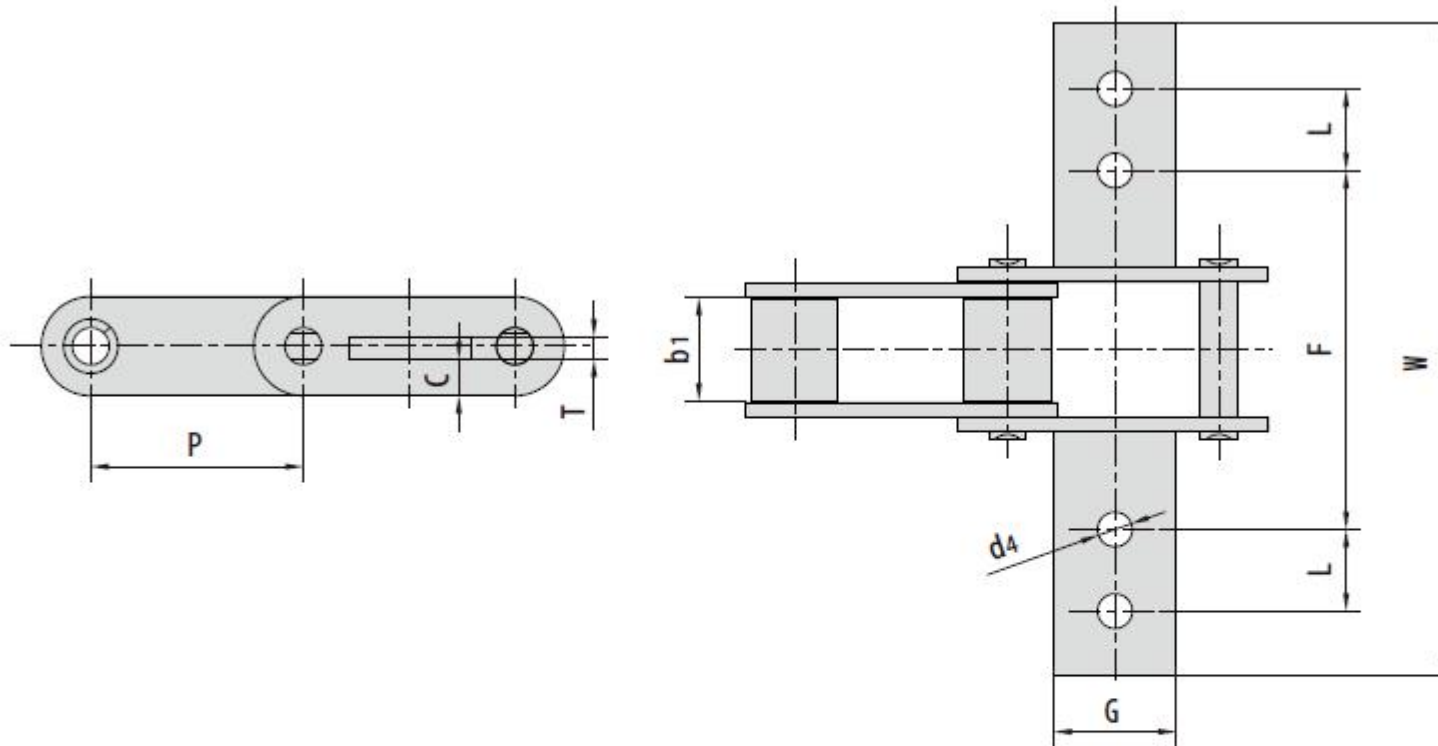


Chain No.	P	b <sub>1</sub>	G	F	W	h <sub>2</sub>	L	h <sub>4</sub>	T	d <sub>4</sub>
	mm	mm	mm	mm	mm	mm	mm	mm	mm	mm
CA550A D	41.4	19.81	19.1	37.3	47.6	19.3	6.4	9.65	2.8	8.73

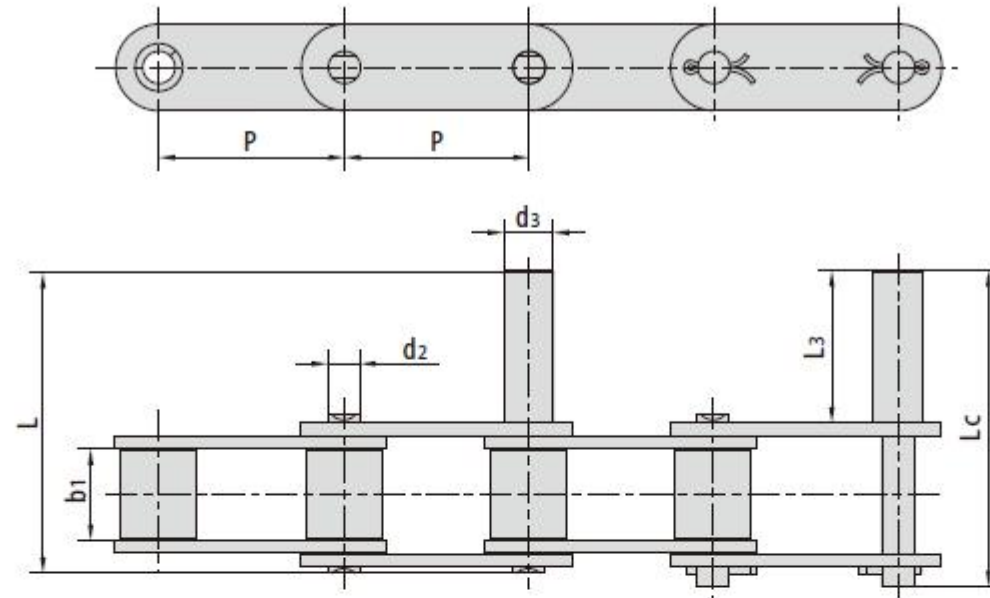


Chain No.	P	b <sub>1</sub>	L	G	F	W	h <sub>4</sub>	T	d <sub>4</sub>
	mm	mm	mm	mm	mm	mm	mm	mm	mm
CA 550K 6	41.40	19.81	15.9	22.2	68.3	128.6	12.7	2.80	8.33
CA 620K 12	42.01	24.51	15.9	22.2	69.9	130.2	23.8	3.25	6.75

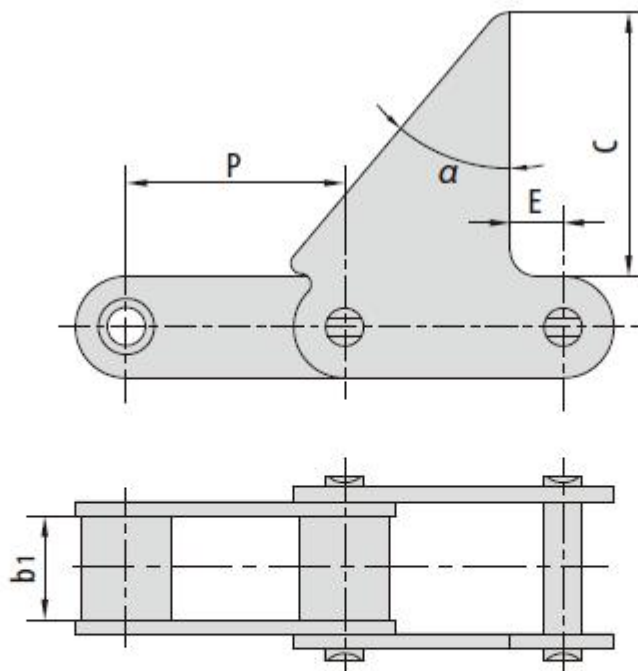




Chain No.	P	b <sub>1</sub>	G	L	F	W	T	C	d <sub>4</sub>
	mm	mm	mm	mm	mm	mm	mm	mm	mm
CA 550K 8	41.40	19.81	23.8	15.9	69.9	127.0	4.3	7.1	6.75
CA 550K 9	41.40	19.81	23.8	15.9	69.9	127.0	4.3	7.9	6.75



Chain No.	P	b1	d2	d3	L3	L	Lc
	mm	mm	mm	mm	mm	mm	mm
CA550-D1	41.40	19.81	7.19	12.7	50.80	84.5	87.5
CA550-D2	41.40	19.81	7.19	7.19	31.75	65.4	68.4
CA550-D4	41.40	19.81	7.19	11.0	34.00	67.7	70.7
S62F6	41.19	25.40	9.00	12.7	40.00	84.8	87.8
S62F4	41.19	26.00	8.00	12.7	40.00	80.8	83.8
CA620-D1F1	42.01	24.51	7.19	12.0	44.45	84.8	88.2



Chain No.	P	b <sub>1</sub>	C	α	E
	mm	mm	mm		mm
CA550F6	41.4	19.81	50.0	40°	10
CA550F9	41.4	19.81	40.7	40°	10