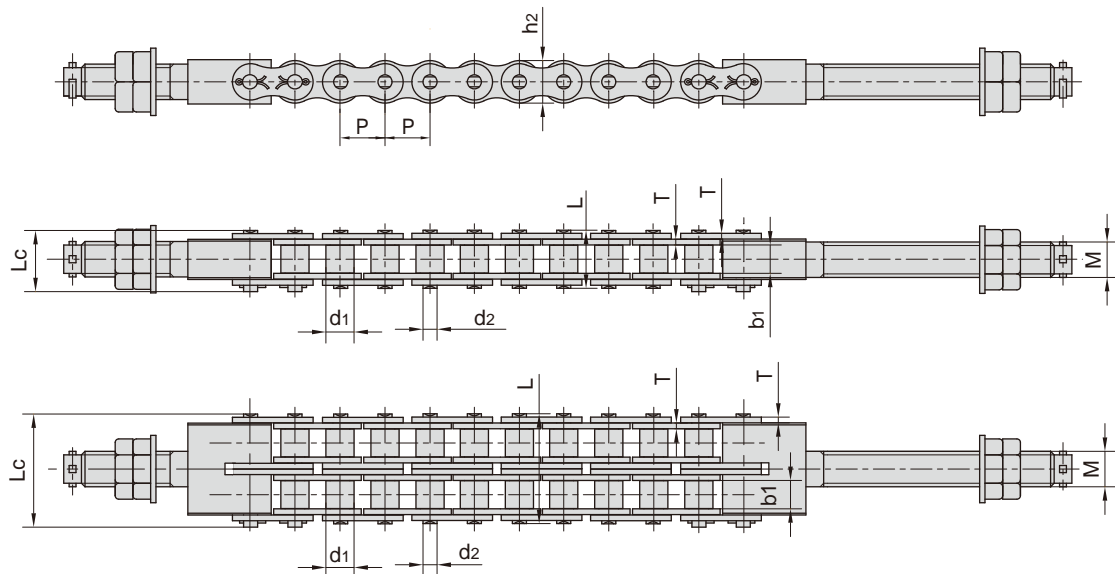


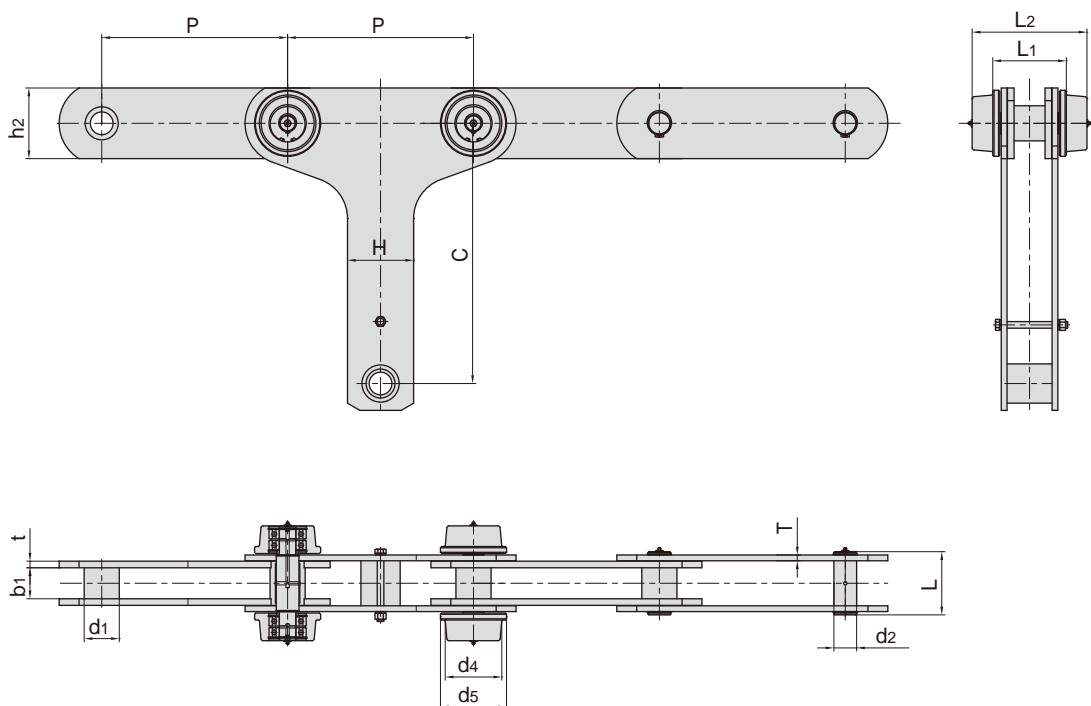
## 停车库链条

### Car parking chains



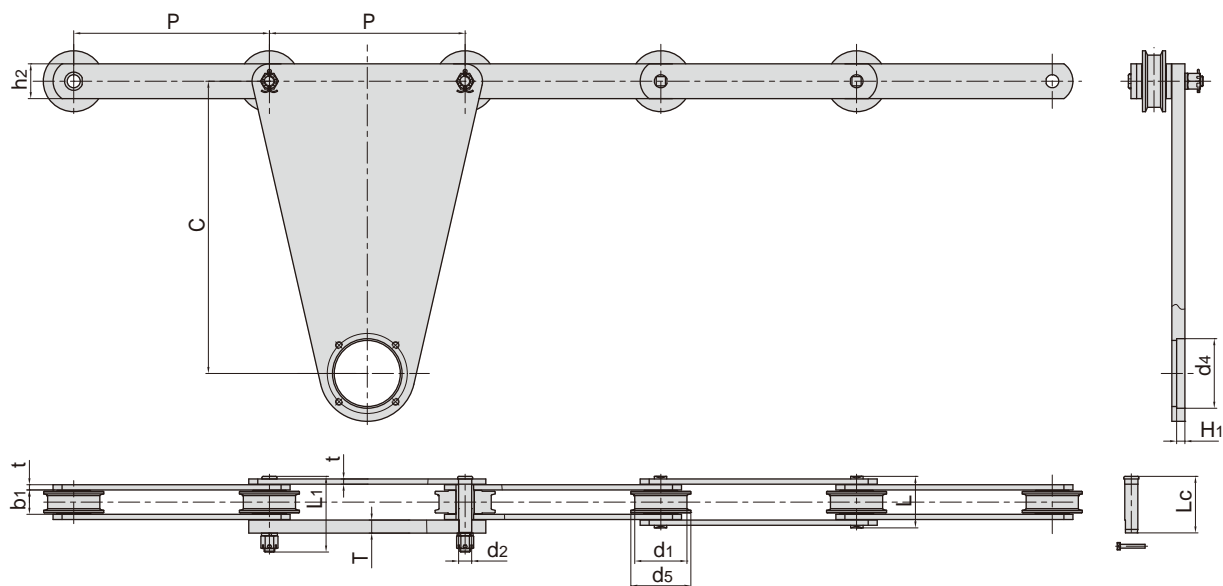
| Chain No. | 节距    | 滚子直径            | 内节内宽                       | 销轴直径         | 销轴长度       |        | 内链板高度             | 链板厚度            | 螺栓规格      | 抗拉强度             | 平均抗拉强度                   | 每米长重             |
|-----------|-------|-----------------|----------------------------|--------------|------------|--------|-------------------|-----------------|-----------|------------------|--------------------------|------------------|
|           | Pitch | Roller diameter | Width between inner plates | Pin diameter | Pin length |        | Inner plate depth | Plate thickness | Bolt type | Tensile strength | Average tensile strength | Weight per meter |
|           | P     | d1 max          | b1 min                     | d2 max       | L max      | Lc max | h2 max            | T max           | M         | Q min            | Q0                       | q                |
|           | mm    | mm              | mm                         | mm           | mm         | mm     | mm                | mm              | mm        | kN/lbf           | kN                       | kg/m             |
| 16ALT-1   | 25.40 | 15.88           | 15.75                      | 7.92         | 32.7       | 36.5   | 24.0              | 3.25            | M20       | 71.55/16261      | 81.8                     | 2.60             |
| 16ALT-2   | 25.40 | 15.88           | 15.75                      | 7.92         | 62.7       | 65.8   | 24.0              | 3.25            | M20       | 143.10/32523     | 166.3                    | 5.15             |
| 20ALT-1   | 31.75 | 19.05           | 18.90                      | 9.53         | 40.4       | 44.7   | 30.0              | 4.00            | M24       | 107.85/24511     | 118.6                    | 3.91             |
| 20ALT-2   | 31.75 | 19.05           | 18.90                      | 9.53         | 76.4       | 80.5   | 30.0              | 4.00            | M24       | 215.70/49023     | 234.4                    | 7.80             |
| 20ALT-3   | 31.75 | 19.05           | 18.90                      | 9.53         | 112.2      | 116.3  | 30.0              | 4.00            | M24       | 323.55/73534     | 351.6                    | 11.77            |
| 24ALT-1   | 38.10 | 22.23           | 25.22                      | 11.10        | 50.3       | 54.3   | 35.7              | 4.80            | M30       | 149.20/330909    | 161.1                    | 5.62             |
| 24ALT-2   | 38.10 | 22.23           | 25.22                      | 11.10        | 95.8       | 99.7   | 35.7              | 4.80            | M30       | 298.40/67818     | 322.2                    | 11.70            |

## 停车库链条 Car parking chains



| Chain No. | 节距    | 套筒直径           | 滚子直径            |        | 内节内宽                       | 销轴直径         | 销轴长度       | 链板高度        | 链板厚度            | 附件尺寸                 |     |     |     | 抗拉强度             |
|-----------|-------|----------------|-----------------|--------|----------------------------|--------------|------------|-------------|-----------------|----------------------|-----|-----|-----|------------------|
|           | Pitch | Boush diameter | Roller diameter |        | Width between inner plates | Pin diameter | Pin length | Plate depth | Plate thickness | Attachment dimension |     |     |     | Tensile strength |
|           | p     | d1 max         | d4 min          | d5 min | b1                         | d2 max       | L max      | h2          | t/T             | C                    | H   | L1  | L2  | Q min            |
|           | mm    | mm             | mm              | mm     | mm                         | mm           | mm         | mm          | mm              | mm                   | mm  | mm  | mm  | kN/lbf           |
| P450F1    | 450.0 | 85.0           | 137.0           | 158.0  | 75                         | 55           | 153        | 171         | 16/14           | 630                  | 160 | 178 | 278 | 1800/404640      |
| P450F2    | 450.0 | 85.0           | 136.5           | 180.0  | 75                         | 55           | 174        | 171         | 16/14           | 675                  | 170 | 166 | 282 | 1764/396547      |
| P450F4    | 450.0 | 85.0           | 136.5           | 180.0  | 75                         | 55           | 174        | 171         | 16/14           | 630                  | 160 | 166 | 282 | 1764/396547      |

## 停车库链条 Car parking chains



| Chain No. | 节距    | 滚子直径            |        | 内节内宽                       | 销轴直径         | 销轴长度       |        |        | 链板高度        | 链板厚度            | 附件尺寸                 |       |    | 抗拉强度             |
|-----------|-------|-----------------|--------|----------------------------|--------------|------------|--------|--------|-------------|-----------------|----------------------|-------|----|------------------|
|           | Pitch | Roller diameter |        | Width between inner plates | Pin diameter | Pin length |        |        | Plate depth | Plate thickness | Attachment dimension |       |    | Tensile strength |
|           | p     | d1 max          | d5 min | b1                         | d2 max       | L max      | Lc max | L1 max | h2          | t/T             | C                    | d4    | H1 | Q min            |
|           | mm    | mm              | mm     | mm                         | mm           | mm         | mm     | mm     | mm          | mm              | mm                   | mm    | mm | kN/lbf           |
| P450F5    | 450   | 120             | 138    | 56                         | 30           | 120        | 130    | 174    | 80          | 12.0/30.0       | 672                  | 160   | 19 | 450.0/101160     |
| P450F6    | 450   | 120             | 140    | 84                         | 36           | 150        | 159    | 210    | 100         | 12.0/30.0       | 672                  | 160   | 19 | 800.0/179840     |
| P450F13   | 450   | 120             | 140    | 84                         | 36           | 150        | 159    | 210    | 100         | 12.0/30.0       | 675                  | 135   | 13 | 800.0/179840     |
| *P460F1   | 460   | 118             | 138    | 51                         | 36           | -          | 134.5  | 173.5  | 90          | 14.0/20.0       | 665                  | 110.4 | -  | 650.0/146120     |
| P460F2    | 460   | 120             | 140    | 84                         | 36           | 150        | 159    | 202    | 100         | 12.0/25.0       | 675                  | 135   | 13 | 800.0/179840     |
| P460F3    | 460   | 130             | 144    | 60                         | 36           | 126        | 135    | 185    | 100         | 12.0/30.0       | 650                  | 110   | -  | 800.0/179840     |
| P460F5    | 460   | 100             | 119    | 55                         | 30           | 118        | 130    | 160    | 75          | 12.0/20.0       | 570                  | 107   | -  | 650.0/146120     |

\*滚轮内带轴承  
\*With bearing inside roller