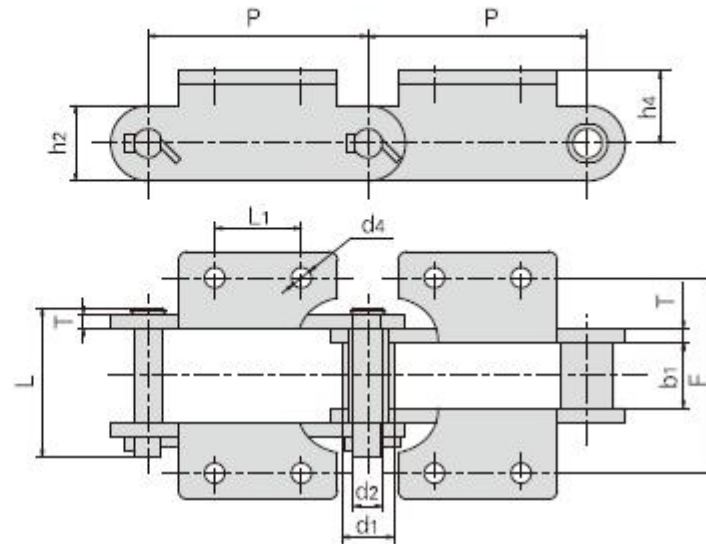


输送机 型号 Conveyor type	Chain No.	节距 Pitch	滚子直径 Roller diameter	内节内宽 Width between inner plates	销轴直径 Pin diameter	销轴长度 Pin length	链板高度 Plate depth	链板厚度 Plate thickness	附板尺寸 Attachment dimension				抗拉强度 Tensile strength
		P	d ₁	b ₁	d ₂	L	h ₂	T	L ₁	F	h ₄	d ₄	Q _{m n} kN/bf
DS400	P152F123	152.4	36.0	36.5	15.5	90.0	50.0	8.0	60	120	38	14	275/61863
DS640	P250F44	250.0	48.5	57.6	22.2	120.0	75.0	10.0	125	160	60	12	560/125976
	*P160F76K2	160.0	40.0	66.0	26.0	128.0	70.0	10.0	120	175	43	15	450/101164
	*P160F82K2	160.0	36.0	65.0	20.0	108.0	60.0	9.0	60	130	45	14	300/67443
	P160F99K2	160.0	50.0	55.0	20.0	108.0	60.0	9.0	60	130	65	17	300/67443

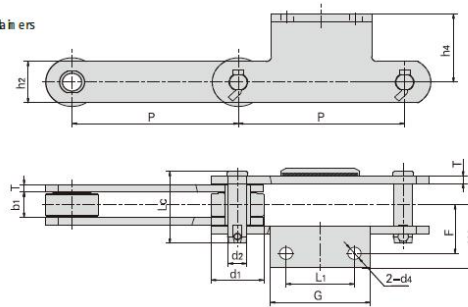
*套筒链：表中滚子直径d1为套筒直径

*Bush chain: d₁ in the table indicates the external diameter of the bush.



输送机 型号 Conveyor type	Chain No.	节距 Pitch	滚子直径 Roller diameter	内节内宽 Width between inner plates	销轴直径 Pin diameter	销轴长度 Pin length	链板高度 Plate depth	链板厚度 Plate thickness	附板尺寸 Attachment dimension				抗拉强度 Tensile strength
		P	d1	b1	d2	L	h2	T	L1	F	h4	d4	Q_{min} kN/bf
		mm	mm	mm	mm	mm	mm	mm	mm	mm	mm	mm	
SDB400	P250F45	250.0	36.0	40.0	20.0	89.0	65.0	8.0	85	130	55	14.0	450/101230
SDB500 (540)	P250F46	250.0	36.0	44.0	21.0	94.0	85.0	8.0	85	132	55	18.5	500/112479
SDB630 (600)	P250F47	250.0	45.0	52.0	30.0	128.0	115.0	10.0	85	162	75	18.5	1000/224957

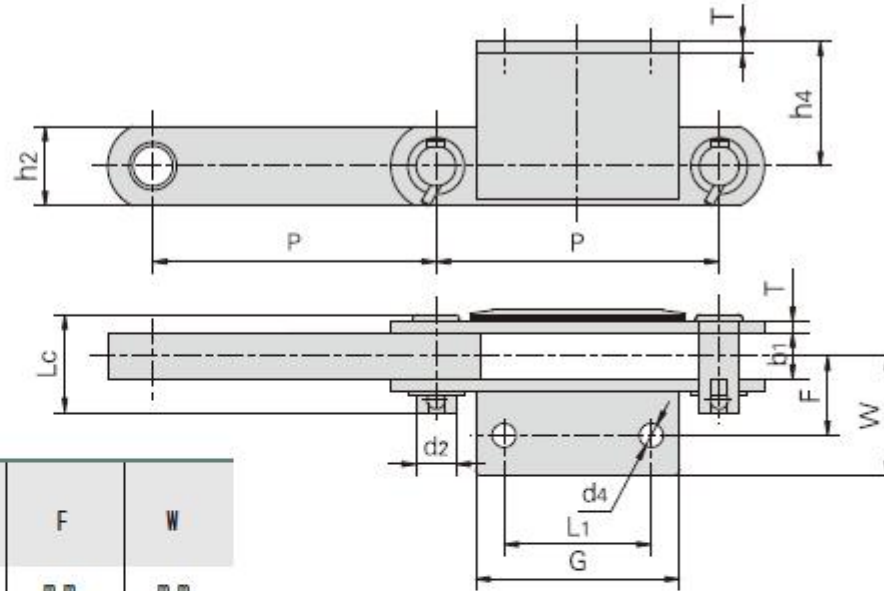
用于堆料机
For combined stacker/reclaimers



Chain No.	节距 Pitch	滚子直径 Roller diameter	内节内宽 Width between inner plates	销轴直径 Pin diameter	销轴长度 Pin length	链板高度 Plate depth	链板厚度 Plate thickness	抗拉强度 Tensile strength	平均抗拉强度 Average tensile strength
	p	d1 max	b1 max	d2 max	Lc max	h2	T	Qmin	Q0
	mm	mm	mm	mm	mm	mm	mm	kN/bf	kN
P250F74	250.0	76.5	40.0	24.0	117.0	60.0	12.0	400/89983	450.0
P315F11	315.0	100.0	52.0	35.0	148.0	85.0	16.0	800/179966	900.0

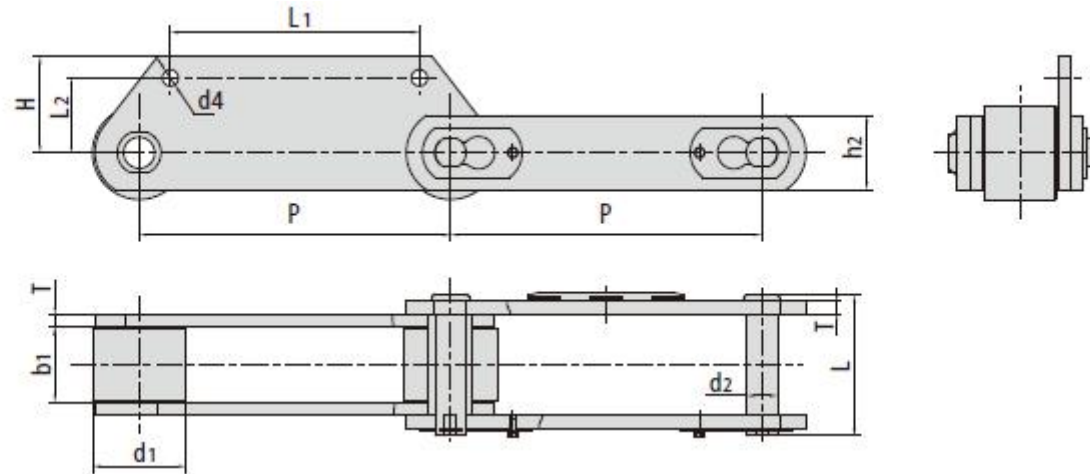
Chain No.	P	L1	G	F	W	h4	d4
	mm	mm	mm	mm	mm	mm	mm
P250F74	250.0	100.0	160.0	83.5	111.5	149.0	21.0
P315F11	315.0	130.0	190.0	100.0	130.0	140.0	25.0

用于堆取料机
For combined stacker/reclaimers

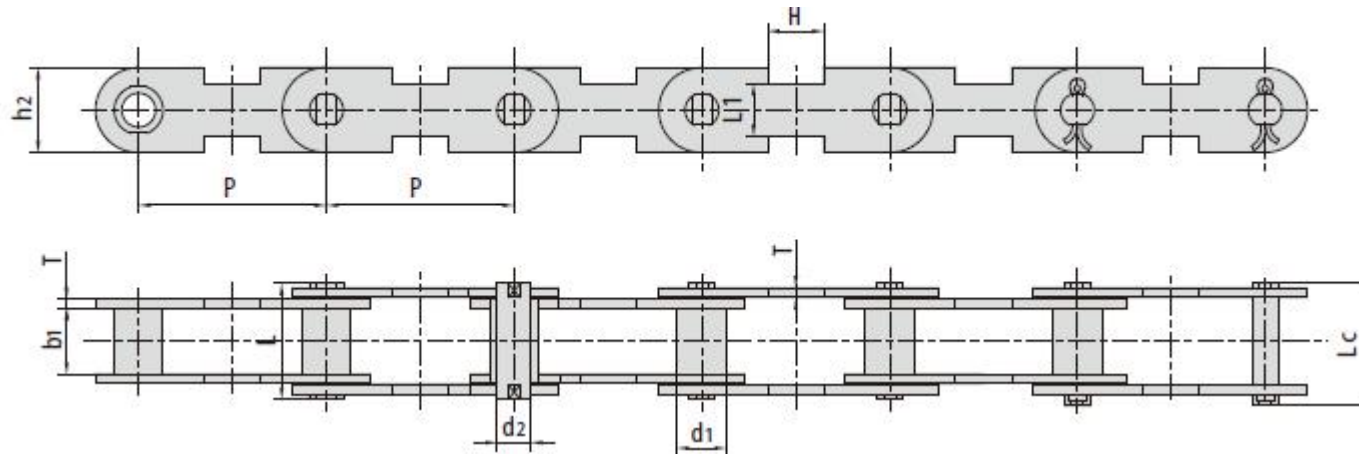


Chain No.	L ₁	G	d ₄	h ₄	F	W
	mm	mm	mm	mm	mm	mm
P250F61	130.0	185.0	21.0	110.0	70.0	105.0

Chain No.	节距 Pitch P	外节内宽 Width between outer plates b ₁	销轴直径 Pin diameter d ₂	销轴长度 Pin length L _c	链板高度 Plate depth h ₂	链板厚度 Plate thickness T	抗拉强度 Tensile strength Q _{min}	平均抗拉强度 Average tensile strength Q ₀
	mm	mm	mm	mm	mm	mm	kN/bf	kN
P250F61	250.0	40.0	35.0	91.0	70.0	10.0	400/89983	450.0



Chain No.	节距 Pitch	滚子直径 Roller diameter	内节内宽 Width between inner plates	销轴直径 Pin diameter	销轴长度 Pin length	链板高度 Plate depth	链板厚度 Plate thickness	附板尺寸 Attachment dimension				抗拉强度 Tensile strength	平均抗拉强度 Average tensile strength
	P	d _{1 max}	b _{1 min}	d _{2 max}	L _{max}	h _{2 max}	t/T	H	L ₁	L ₂	d ₄	Q _{min}	Q ₀
	mm	mm	mm	mm	mm	mm	mm	mm	mm	mm	mm	kN/bf	kN
P 500F4	500.0	150.0	120.0	50.0	227.0	130.0	20.0	155.0	400.0	120.0	26.0	2650/595720	2915.0
P 500F5	500.0	150.0	120.0	50.0	227.0	120.0	20.0	155.0	400.0	120.0	26.0	2650/595720	2915.0
P 500F9	500.0	150.0	120.0	55.0	227.0	140.0	20.0	155.0	400.0	120.0	32.0	2800/629440	3080.0
P 500F10	500.0	150.0	120.0	50.0	219.0	120.0	18.0	155.0	400.0	120.0	26.0	1500/337200	1650.0



Chain No.	节距 Pitch	套筒直径 Bush diameter	内节内宽 Width between inner plates	销轴直径 Pin diameter	销轴长度 Pin length		链板高度 Inner plate depth	链板厚度 Plate thickness	附件尺寸 Attachment dimension		抗拉强度 Tensile strength	每米长重 Weight per meter
	P	d1 max	b1 min	d2 max	L max	Lc max	h2 max	T max	H	L1	Q min	q
	mm	mm	mm	mm	mm	mm	mm	mm	mm	mm	kN/bf	kg/m
P100F49	100.0	20.0	25.0	14.0	51.5	55.0	35.0	5.0	30.0	28.0	90.0/20250	4.02
P100F54	100.0	26.0	35.0	18.0	65.5	71.0	45.0	6.0	30.0	28.0	100.0/22500	6.90