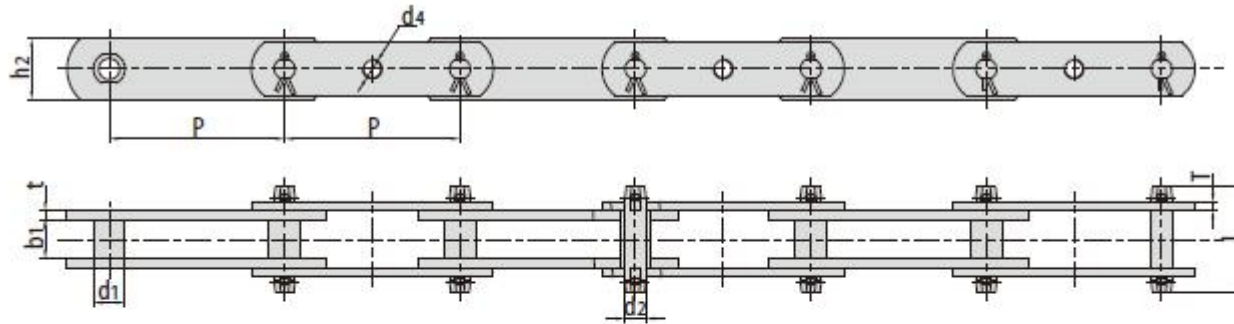


Chain No.	节距 Pitch	套筒直径 Bush diameter	内节内宽 Width between inner plates	销轴直径 Pin diameter	销轴长度 Pin length	链板高度 Plate depth	链板厚度 Plate thickness	抗拉强度 Tensile strength	每米长重 Weight per meter
	P	d _{1 max}	b _{1 min}	d _{2 max}	L _{max}	H _{max}	T _{max}	Q _{min}	q
	mm	mm	mm	mm	mm	mm	mm	kN/bf	kg/m
P40	40.0	20.0	25.0	14.0	73.0	53.0	5.0	90.0/20250	10.67

Chain No.	P	G	L ₁	h ₂	d _s	t
	mm	mm	mm	mm	mm	mm
P40	40.0	42.0	75.0	38.0	28.0	4.0



Chain No.	节距 Pitch	套筒直径 Bush diameter	内节内宽 Width between inner plates	销轴直径 Pin diameter	销轴长度 Pin length	链板尺寸 Plate size			抗拉强度 Tensile strength	每米长重 Weight per meter
	P	d _{1 max}	b _{1 min}	d _{2 max}	L _{max}	h _{2 max}	d ₄	t/T	Q _{min}	q
	mm	mm	mm	mm	mm	mm	mm	mm	kN/bf	kg/m
P 100F270G K	100.0	18.0	22.0	12.0	60.0	35.0	M 10	5.0	98.0/22030	4.60
P 100F178	100.0	18.0	22.0	12.0	54.0	30.0	M 10	5.0	98.0/22030	4.00