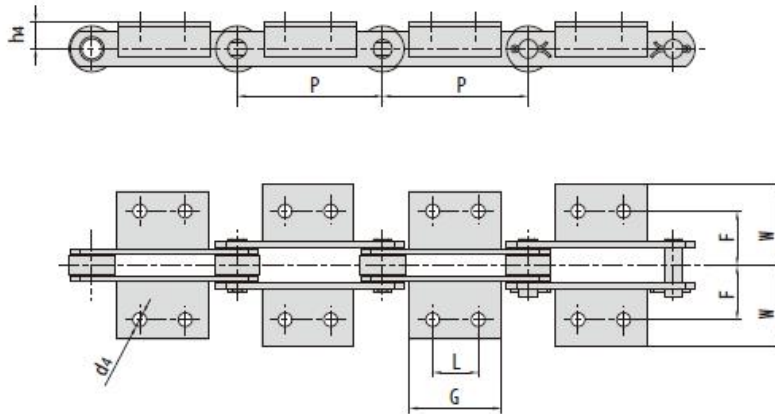


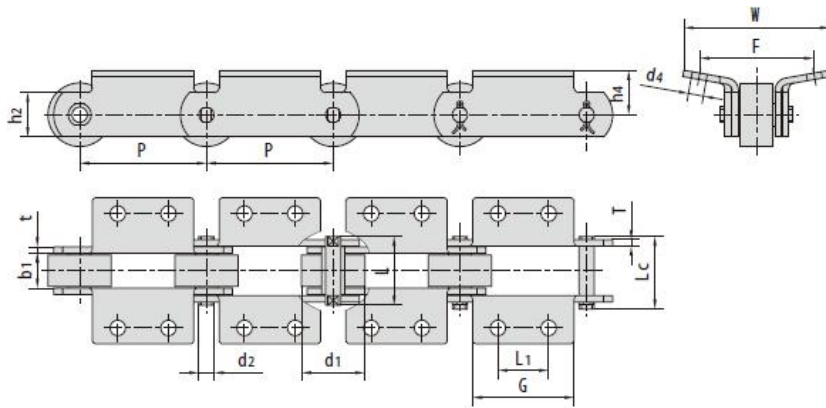
ISO 链号 ISO Chain No.	P	L	G	d ₄	F	W	h ₄
	mm	mm	mm	mm	mm	mm	mm
M 20	40.0	△	14.0	6.6	27.0	40.0	16.0
	50.0	△	14.0				
	63.0	20.0	35.0				
	80.0	35.0	50.0				
M 28	50.0	△	20.0	9.0	32.0	47.0	20.0
	63.0	△	20.0				
	80.0	25.0	45.0				
	100.0	40.0	60.0				
M 40	63.0	△	31.0	9.0	35.0	50.0	25.0
	80.0	20.0	45.0				
	100.0	40.0	60.0				
	125.0	65.0	85.0				
M 56	63.0	△	22.0	11.0	44.0	61.0	30.0
	80.0	△	30.0				
	100.0	25.0	50.0				
	125.0	50.0	75.0				
	160.0	85.0	110.0				
M 80	80.0	△	30.0	11.0	48.0	65.0	35.0
	100.0	25.0	50.0				
	125.0	50.0	75.0				
	160.0	85.0	110.0				
	200.0	125.0	150.0				

△附板带一个孔
△Attachments with 1 hole



ISO 链号 ISO Chain No.	P	L	G	d ₄	F	W	h ₄
	mm	mm	mm	mm	mm	mm	mm
M 112	80.0	△	28.0	14.0	55.0	80.0	40.0
	100.0	△	40.0				
	125.0	35.0	65.0				
	160.0	65.0	95.0				
	200.0	100.0	130.0				
M 160	100.0	△	30.0	14.0	62.0	85.0	45.0
	125.0	25.0	50.0				
	160.0	50.0	80.0				
	200.0	85.0	115.0				
	250.0	145.0	175.0				
M 224	125.0	△	35.0	18.0	70.0	110.0	55.0
	160.0	△	60.0				
	200.0	65.0	100.0				
	250.0	125.0	160.0				
	315.0	190.0	230.0				
M 315	160.0	△	35.0	18.0	80.0	115.0	65.0
	200.0	50.0	85.0				
	250.0	100.0	140.0				
	315.0	155.0	190.0				
	400.0	155.0	205.0				

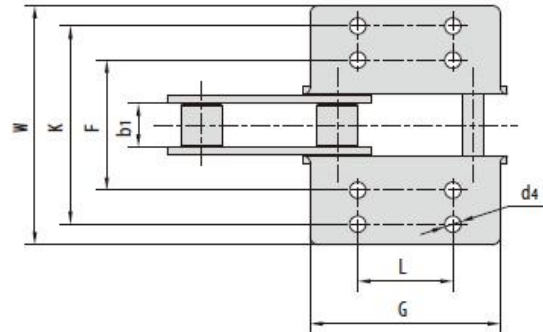
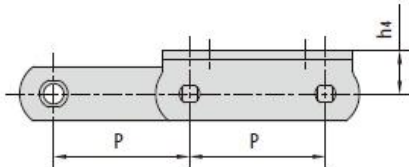
△附板带一个孔
△Attachments with 1 hole



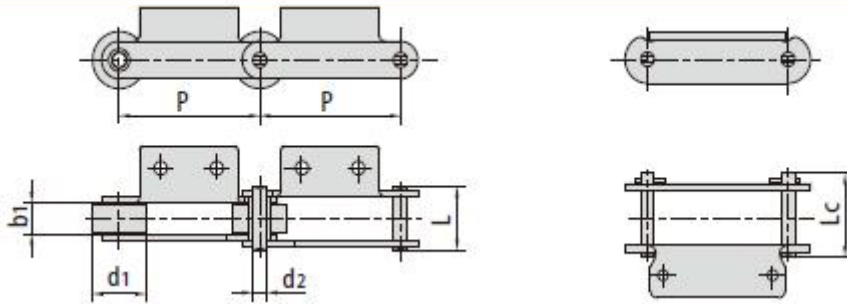
Chain No.	L ₁	G	F	W	h ₄	d ₄
	mm	mm	mm	mm	mm	mm
M 80K 2F6-P-100	40.00	80.00	90.00	115.00	35.00	12.00
M 112K 2F4-P-200	120.00	180.00	110.00	142.00	46.00	14.00

Chain No.	节距 Pitch	滚子直径 Roller diameter	内节内宽 Width between inner plates	销轴直径 Pin diameter	销轴长度 Pin length		内链板高度 Inner plate depth	链板厚度 Plate thickness	抗拉强度 Tensile strength	每米长重 Weight per meter
	P	d _{1 max}	b _{1 min}	d _{2 max}	L _{max}	L _{c max}	h _{2 max}	t _{T max}	Q _{min}	q
	mm	mm	mm	mm	mm	mm	mm	mm	kN/bf	kg/m
M 80K 2F6-P-100	100.00	50.00	27.00	12.00	55.0	58.5	35.00	5.00	80.0/17994	10.50
M 112K 2F4-P-200	200.00	60.00	38.50	15.00	71.7	75.6	40.00	5.00	160.0/35988	13.50

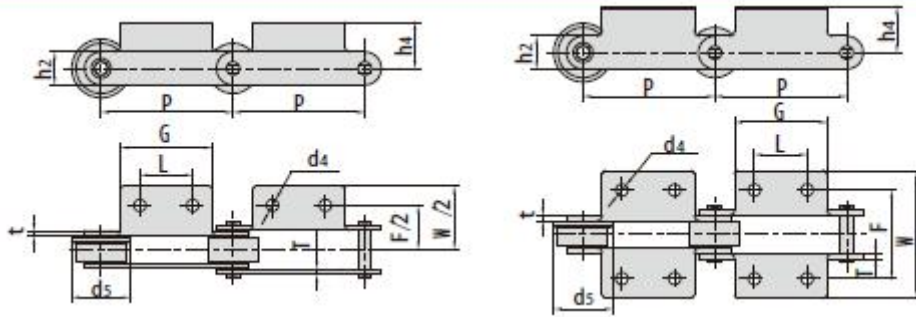
带K4附件
With K4 attachment



Chain No.	P	b ₁	h ₄	F	K	W	L	G	d ₄
	mm	mm	mm	mm	mm	mm	mm	mm	mm
M 112K 4-S-100	100.00	32.00	31.50	96.00	146.00	176.00	70.00	140.00	12.00



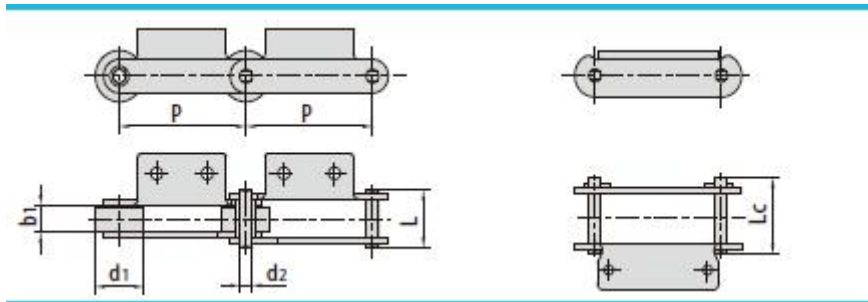
Chain No.	节距 Pitch	滚子直径 Roller diameter	内节内宽 Width between inner plates	销轴直径 Pin diameter	销轴长度 Pin length		抗拉强度 Tensile strength	平均抗拉强度 Average tensile strength	每米重量 Weight per meter
	p	d _{1 max}	b ₁	d _{2 max}	L _{max}	L _{c max}	Q _{0 in}	Q ₀	q
	mm	mm	mm	mm	mm	mm	kN/bf	kN	kg/m
M 18F1A 1-P-50	50.0	25.0	11.5	5.72	26.0	28.2	18.0/4050	20.0	2.46
M 18F2A 1.02-P-50	50.0	25.0	11.5	5.72	28.0	30.2	18.0/4050	20.0	2.18
M 18F2A 1F 1.32-P-50	50.0	25.0	11.5	5.70	28.0	30.2	18.0/4050	20.0	1.85
M 18F4A 1.02-S-50	50.0	15.0	12.0	6.00	24.0	26.5	18.0/4050	20.0	1.20
M 18F8K 1.03-P-50	50.0	25.0	11.5	5.72	26.0	28.2	18.0/4050	20.0	2.47
M 20K 1F 2.02-S-50	50.0	12.5	16.0	6.00	31.0	33.5	20.0/4545	25.0	3.60
M 20A 2F 1-S-50	50.0	12.5	16.0	6.00	31.0	33.5	20.0/4545	25.0	1.53
M 28F1A 2-P-80	80.0	29.4	18.0	7.00	35.4	38.7	28.0/6300	31.0	2.60
M 28F3A 2-P-63	63.0	30.0	17.0	7.00	37.3	40.3	35.0/7874	39.0	3.48
M 28F3A 2-F-100	100.0	30.0	17.0	7.00	37.3	40.3	35.0/7874	39.0	3.46
M 32A 1.02-P-50	50.0	31.0	15.0	10.00	33.0	35.5	32.0/7200	35.2	4.09
M 32A 1F 1-P-50	50.0	31.0	15.0	10.00	33.0	35.5	32.0/7200	35.2	3.96
M 32A 1F 2.02-PF 1-50	50.0	36.0	14.8	10.00	32.6	35.5	35.0/7874	39.0	4.40
M 35F4A 1.01-C-69	69.0	25.0	12.0	7.00	27.5	30.0	35.0/7874	39.0	2.26
M 40FA 1.02-P-50	50.0	31.0	15.0	10.00	36.6	39.0	75.0/16872	82.5	4.52
M 40FK 2F 1-P-50	50.0	31.0	15.0	10.00	36.6	39.0	40.0/8992	44.0	4.94
M 40FA 2-P-50	50.0	31.0	15.0	10.00	36.6	39.0	40.0/8992	44.0	4.54
M 40FA 1F 1.02-P-50	50.0	31.0	15.0	10.00	36.6	39.0	40.0/8992	44.0	4.31
M 40FA 2F 1.08-P-50	50.0	31.0	15.0	10.00	36.6	39.0	40.0/8992	44.0	4.08
M 40F 17A 2-P-50.8	50.8	31.0	15.2	13.40	38.0	42.8	53.9/12127	59.2	4.90
M 40F 31A 2.02-P-50.8	50.8	31.8	15.0	14.00	37.0	40.5	40.0/8992	44.0	4.60
M 40F 17K 1.10-P-50.8	50.8	31.0	15.2	13.35	38.0	42.8	53.9/12127	59.2	4.60
M 40F 5A 2-S-65	65.0	24.0	15.0	12.00	38.0	41.0	40.0/8992	44.0	4.74
M 40F 10-F-76.2	76.2	31.5	15.0	14.00	38.0	42.0	40.0/8992	44.0	4.16
M 40A 2F 2-F-80	80.0	36.0	20.0	8.50	40.5	45.0	40.0/8992	44.0	4.98
M 40F 1-P-125	125.0	36.0	38.0	14.27	75.6	-	40.0/8992	44.0	10.18
M 56F 1-P-100	100.0	38.0	20.5	10.00	42.3	46.1	56.0/12727	61.0	4.63
M 56F 2-P-100	100.0	42.0	22.5	10.00	44.6	48.5	56.0/12727	61.0	5.67
M 56F 2-F-100	100.0	42.0	22.5	10.00	44.6	48.5	56.0/12727	61.0	5.88
M 56F 3-P-100	100.0	38.0	20.5	10.00	42.3	46.1	56.0/12727	61.0	4.72
M 56F 3-F.06-100	100.0	38.0	20.5	10.00	42.3	46.1	56.0/12727	61.0	4.70
M 56F 8-P-100	100.0	38.0	17.0	10.00	38.8	42.6	56.0/12727	61.0	3.79
M 56F 9-F 1-100	100.0	38.0	20.5	10.00	46.3	50.1	88.2/19845	97.0	5.80
M 56F 23-F-100	100.0	42.0	24.0	10.00	44.6	49.5	56.0/12727	61.0	5.52
M 56F 38A 2-P-100	100.0	36.0	15.2	10.00	37.0	40.8	56.0/12727	61.0	3.64
M 56F 6A 2.02-PF 1-100	100.0	38.0	17.0	10.00	38.8	42.6	56.0/12727	61.0	4.10
M 56A 2-P-125	125.0	42.0	24.0	10.00	46.0	49.5	56.0/12727	61.0	5.24
M 56F 26A 2.02-F-125	125.0	42.0	24.0	10.00	46.0	49.5	56.0/12727	61.0	4.82
M 75-P 100	100.0	38.0	18.9	9.53	40.4	44.7	75.0/17045	83.0	4.85



Chain No.	P	L	G	F	W	h ₄	h ₂	d ₄	t	d _s
	mm	mm	mm	mm	mm	mm	mm	mm	mm	mm
M 18F1A1-P-50	50.0	△	46.0	44.0	72.0	24.0	18.0	6.5	2.50	-
M 18F2A1.02-P-50	50.0	△	41.0	48.0	68.0	25.0	15.0	6.5	3.00	-
M 18F2A1F1.32-P-50	50.0	△	42.0	44.6	64.6	22.5	15.0	6.0	3.00	-
M 18F4A1.02-S-50	50.0	△	30.0	50.0	83.0	20.0	15.0	8.0	2.03	-
M 18F8K1.03-P-50	50.0	△	46.0	44.0	66.6	24.0	18	8.5	2.50	-
M 20K1F2.02-S-50	50.0	△	20.0	54.0	75.0	16.0	18.0	6.6	2.50	-
M 20A2F1-S-50	50.0	20.0	35.0	52.0	80.0	13.0	18.0	8.1	2.50	-
M 28F1A2-P-80	80.0	25.0	45.8	66.0	91.6	11.8	20.5	8.8	3.25	-
M 28F3A2-P-63	63.0	20.0	50.0	64.0	92.0	20.0	20.0	9.0	4.00	-
M 28F3A2-F-100	100.0	40.0	76.0	64.0	100.0	20.0	20.0	9.0	4.00	40.0
M 32A1.02-P-50	50.0	△	60.0	62.0	97.0	35.0	23.0	10.0	3.00	-
M 32A1F1-P-50	50.0	△	30.0	62.0	92.0	28.0	23.0	10.0	3.00	-
M 32A1F2.02-PF1-50	50.0	△	60.0	62.0	97.0	16.5	23.0	10.0	3.00	-
M 35F4A1.01-C-69	69.0	△	60.0	50.0	74.0	25.5	19.0	7.0	2.50	-
M 40FA1.02-P-50	50.0	△	60.0	70.0	98.0	17.5	25.0	10.0	4.00	-
M 40FK2F1-P-50	50.0	30.0	60.0	67.5	100.0	17.0	25.0	9.0	4.00	-
M 40FA2-P-50	50.0	30.0	45.0	93.0	136.0	14.5	25.0	6.5	4.00	-
M 40FA1F1.02-P-50	50.0	△	35.0	54.0	104.0	20.5	25.0	10.5	4.00	-
M 40FA2F1.08-P-50	50.0	25.0	45.0	90.0	122.0	22.0	25.0	8.5	4.00	-
M 40F17A2-P-50.8	50.8	30.0	55.0	66.0	92.0	18.0	25.0	10.2	5.00,4.00	-
M 40F31A2.02-P-50.8	50.8	19.0	40.0	64.0	100.0	19.0	26.3	8.0	4.00	-
M 40F17K1.10-P-50.8	50.8	△	55.0	66.0	92.0	18.0	25.0	10.2	5.00,4.00	-
M 40F5A2-S-65	65.0	25.0	45.0	90.0	122.0	24.5	30.0	8.5	4.00	-
M 40F10-F-76.2	76.2	22.2	38.3	76.2	106.5	19.0	26.0	9.4	4.00	40.0
M 40A2F2-F-80	80.0	20.0	50.0	70.0	112.0	35.0	25.0	9.0	3.50	45.0
M 40F1-P-125	125.0	50.0	90.0	100.0	140.0	36.0	50.0	13.0	6.00	-
M 56F1-P-100	100.0	40.0	70.0	67.5	96.6	35.0	25.0	9.0	4.00	-
M 56F2-P-100	100.0	29.7	50.0	124.0	148.0	21.5	32.0	7.0	4.00	-
M 56F2-F-100	100.0	29.7	50.0	124.0	148.0	21.5	32.0	7.0	4.00	50.0
M 56F3-P-100	100.0	50.0	70.0	71.0	101.0	35.0	25.0	9.0	4.00	-
M 56F3-F.06-100	100.0	50.0	70.0	71.0	101.0	35.0	25.0	9.0	4.00	44.5
M 56F8-P-100	100.0	△	70.0	63.8	95.0	25.0	25.0	8.2	4.00	-
M 56F9-F1-100	100.0	40.0	70.0	68.0	96.6	25.0	32.0	9.0	5.00	45.0
M 56F23-F-100	100.0	40.0	70.0	71.4	100.6	35.0	25.0	9.0	4.00	50.0
M 56F38A2-P-100	100.0	40.0	60.0	70.0	100.0	20.0	25.0	9.0	4.00	-
M 56F6A2.02-PF1-100	100.0	40.0	70.0	71.5	92.0	55.0	25.0	6.5	4.00	-
M 56A2-P-125	125.0	50.0	75.0	88.0	128.0	30.0	30.0	11.0	4.00	-
M 56F26A2.02-F-125	125.0	50.0	75.0	88.0	128.0	30.0	30.0	9.0	4.00	50.0
M 75-P100	100.0	40.0	70.0	64.0	112.0	24.9	26.0	9.0	4.00	-

△附板带一个孔

△Attachments with 1 hole





HANGZHOU OCEAN INDUSTRY CO., LTD.

Chain No.	节距 Pitch	滚子直径 Roller diameter	内节内宽 Width between inner plates	销轴直径 Pin diameter	销轴长度 Pin length		抗拉强度 Tensile strength	平均抗拉强度 Average tensile strength	每米长重 Weight per meter
	p	d _{1 max}	b _{1 in}	d _{2 max}	L _{max}	L _{c max}	Q _{in}	Q _o	q
	mm	mm	mm	mm	mm	mm	kN/bf	kN	kg/m
M 75-P 100F1	100.0	38.0	18.9	9.53	38.4	42.7	75.0/17045	83.0	4.01
M 75-P 100F3	100.0	28.5	23.9	11.10	46.3	50.3	75.0/17045	83.0	4.53
M 75F4-P-100	100.0	38.0	18.9	9.53	40.4	44.7	75.0/17045	83.0	4.62
M 75-PF1-100	100.0	19.1	18.9	9.53	40.4	44.7	75.0/17045	75.0	3.43
M 80K1F1-P-100	100.0	50.0	28.0	12.00	55.0	58.5	80.0/18000	88.0	9.10
M 80K2F1-B-100	100.0	18.0	28.0	12.00	55.0	58.5	80.0/18000	88.0	5.94
M 80F5K1-B-100	100.0	18.0	28.0	12.00	55.0	58.5	80.0/18000	88.0	5.45
M 80A2F1-F-160	160.0	50.0	29.0	12.00	65.0	-	80.0/18000	88.0	7.45
M 80F43K2-P-200	200.0	50.0	28.0	12.00	55.0	59.0	80.0/18000	88.0	7.90
M 112F5K2-P-100	100.0	36.0	37.0	16.00	69.0	74.0	112.0/25200	123.2	8.28
M 112A2F18.04-P-100	100.0	60.0	31.0	15.00	64.0	73.0	112.0/25200	123.2	11.80
M 112K2F2-B-100	100.0	21.0	32.0	15.00	64.5	69.0	112.0/25200	123.2	7.53
M 112F38A2.04-P-100	100.0	60.0	32.0	15.00	64.5	69.0	112.0/25200	123.2	12.74
M 112F16K1-P-125	125.0	60.0	32.0	15.00	68.5	73.0	112.0/25200	123.2	13.00
M 112K2F1-S-125	125.0	30.0	32.0	16.00	64.5	69.0	112.0/25200	123.2	7.35
M 112F9A2-F-180	180.0	50.0	32.0	15.00	64.5	69.0	160.0/35993	176.0	10.30
M 112F3-F-200	200.0	60.0	37.0	16.00	69.0	74.0	112.0/25200	123.2	11.00
M 112A2F21-F-315	315.0	60.0	32.0	15.00	65.0	70.0	112.0/25200	123.2	8.50
M 160F1K2-P-100	100.0	36.0	36.0	18.00	76.0	80.0	160.0/35993	176.0	10.80
M 160F1K2.03-B-100	100.0	18.0	36.0	18.00	76.0	80.0	160.0/35993	176.0	9.73
M 160F12K2-S-100	100.0	36.0	38.0	14.00	76.0	-	100.0/22496	110.0	9.33
M 160F2-B-100	100.0	25.0	37.0	18.00	73.3	83.0	222.0/49940	244.2	11.36
M 160F25K2.04-B-100	100.0	25.0	37.0	18.00	73.3	79.5	160.0/36364	176.0	10.83
M 160F41K2-B-100	100.0	36.0	37.0	18.00	73.3	79.5	160.0/35993	176.0	14.75
M 160F55K2-B-100	100.0	25.0	37.0	18.00	-	86.0	160.0/35993	176.0	15.04
M 160F3K1F1-P-101.6	101.6	66.7	26.0	26.90	58.0	78.5	156.0/35093	171.6	17.37
M 160A2F1.02-P-152.4	152.4	66.7	25.4	26.90	58.0	68.0	160.0/35993	176.0	12.55
M 160A2F7-F-200	200.0	70.0	37.0	18.00	85.0	-	181.8/40905	200.0	15.20
M 160A2F8-F-200	200.0	70.0	37.0	18.00	85.0	-	181.8/40905	200.0	15.23
M 160K2F2-S-200	200.0	36.0	36.0	18.00	76.0	80.0	160.0/36364	176.0	11.40
M 160A2F8-F-200	200.0	70.0	37.0	18.00	85.0	-	181.8/40905	200.0	15.20
M 224F6A2-P-160	160.0	85.0	42.0	21.00	87.5	92.5	224.0/50909	246.5	27.56
M 224F29A2-F-200	200.0	85.0	43.0	21.00	85.0	91.0	224.0/50909	246.0	21.60
M 224F1K2-P-200	200.0	85.0	42.0	21.00	95.0	-	224.0/50909	246.0	21.20
M 224F42K2-S-200	200.0	42.0	44.0	21.00	-	99.0	224.0/50909	246.0	17.20
M 315F22A2-F-400	400.0	100.0	56.0	25.00	109.8	115.3	315.0/70815	346.5	26.60
M 315K2F1-P-250	250.0	50.0	47.0	25.00	98.9	105.0	315.0/70815	346.5	20.60
M 450F26A2-F-400	400.0	100.0	56.0	30.00	111.0	118.0	315.0/70815	346.5	27.60

*套筒链：表中滚子直径d1为套筒直径
 *Bush chain: d1 in the table indicates the external diameter of the bush.

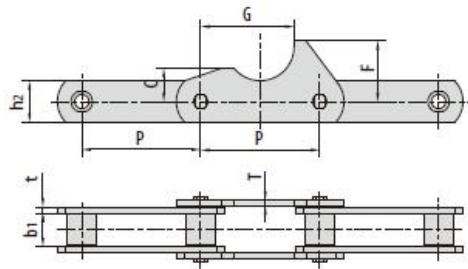


HANGZHOU OCEAN INDUSTRY CO., LTD.

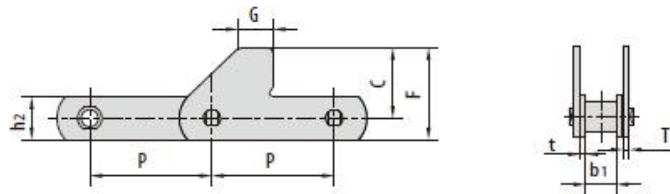
Chain No.	P	L	G	F	W	h4	h2	d4	tT	ds
	mm	mm	mm	mm	mm	mm	mm	mm	mm	mm
M 75-P 100F1	100.0	40.0	70.0	64.0	112.0	24.4	26.0	9.0	3.50	-
M 75-P 100F3	100.0	50.0	70.0	75.7	96.7	35.0	26.0	9.7	4.00	-
M 75F4-P-100	100.0	40.0	70.0	90.0	112.4	24.9	26.0	8.5	4.00	-
M 75-PF1-100	100.0	40.0	70.0	64.0	112.0	24.9	26.0	9.0	4.00	-
M 80K 1F1-P-100	100.0	△	30.0	96.0	138.0	35.0	35.0	11.0	5.00	-
M 80K 2F1-B-100	100.0	70.0	100.0	96.0	130.0	35.0	35.0	11.0	5.00	-
M 80F5K 1-B-100	100.0	△	60.0	100.0	156.0	23.2	35.0	13.0×17.0	5.00	-
M 80A 2F1-F-160	160.0	60.0	95.0	94.0	124.0	27.5	35.0	9.0	5.00	60.0
M 80F43K 2-P-200	200.0	80.0	120.0	96.0	130.0	35.0	35.0	11.0	5.00	-
M 112F5K 2-P-100	100.0	35.0	65.0	98.5	140.0	40.0	40.0	14.0	6.00	-
M 112A 2F18.04-P-100	100.0	30.0	60.0	100.0	130.0	33.0	36.0	9.0	6.00	-
M 112K 2F2-B-100	100.0	30.0	60.0	100.0	130.0	30.0	40.0	9.0	6.00	-
M 112F38A 2.04-P-100	100.0	35.0	70.0	110.0	160.0	40.0	40.0	14.0	6.00	-
M 112F 16K 1-P-125	125.0	△	72.0	120.0	184.0	39.0	40.0	13.0	7.00	-
M 112K 2F1-S-125	125.0	80.0	110.0	85.8	115.8	35.0	40.0	13.0	6.00	-
M 112F9A 2-F-180	180.0	100.0	130.0	110.0	160.0	40.0	40.0	14.0	6.00	60.0
M 112F3-F-200	200.0	90.0	120.0	102.0	137.5	40.0	45.0	11.0	6.00	75.0
M 112A 2F21-F-315	315.0	160.0	200.0	110.0	160.0	40.0	40.0	14.0	6.00	70.0
M 160F1K 2-P-100	100.0	40.0	80.0	124.0	183.0	35.0	40.0	14.0	7.00	-
M 160F1K 2.03-B-100	100.0	40.0	80.0	124.0	283.0	35.0	40.0	14.0	7.00	-
M 160F 12K 2-S-100	100.0	30.0	70.0	100.0	120.0	35.0	40.0	13.0	5.60	-
M 160F2-B-100	100.0	△	110.0	125.0	155.0	45.0	50.0	17.0	7.00	-
M 160F25K 2.04-B-100	100.0	40.0	80.0	124.0	180.0	45.0	50.0	14.0	7.00	-
M 160F41K 2-B-100	100.0	40.0	80.0	124.0	180.0	45.0	55.0	14.0	7.00	-
M 160F55K 2-B-100	100.0	40.0	80.0	124.0	200.0	43.0	50.0	14.0	8.00	-
M 160F3K 1F1-P-101.6	101.6	△	56.0	175.0	204.0	38.0	51.0	11.0	7.1/5.1	-
M 160A 2F1.02-P-152.4	152.4	38.0	64.0	120.0	154.0	30.0	50.0	10.5	7.1/5.1	-
M 160A 2F7-F-200	200.0	85.0	115.0	124.0	170.0	45.0	51.0	14.0	7.00	85.0
M 160A 2F8-F-200	200.0	80.0	115.0	124.0	170.0	45.0	51.0	12.0	7.00	85.0
M 160K 2F2-S-200	200.0	100.0	180.0	103.0	133.0	45.0	51.0	9.0	7.00	-
M 160A 2F8-F-200	200.0	80.0	115.0	124.0	170.0	45.0	51.0	12.0	7.00	85.0
M 224F6A 2-P-160	160.0	80.0	125.0	136.0	182.0	62.0	72.0	17.0	8.00	-
M 224F29A 2-F-200	200.0	50.0	100.0	170.0	200.0	45.0	60.0	13.0	8.00	100.0
M 224F1K 2-P-200	200.0	80.0	120.0	128.0	168.0	40.0	50.0	14.0	9.00	-
M 224F42K 2-S-200	200.0	60.0	100.0	142.0	180.0	54.0	62.0	15.0	8.00	-
M 315F22A 2-F-400	400.0	200.0	250.0	160.0	207.6	70.0	70.0	18.0	10.00	120.0
M 315K 2F1-P-250	250.0	60.0	100.0	127.0	168.0	57.0	82.0	14.0	10.00	-
M 450F26A 2-F-400	400.0	200.0	250.0	160.0	207.6	70.0	75.0	18.0	10.00	119.0

△附板带一个孔

△Attachments with 1 hole

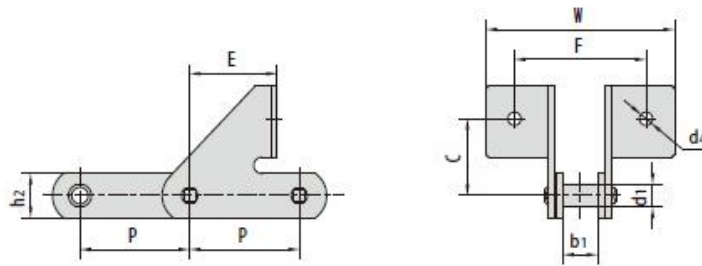


Chain No.	P	b ₁	h ₂	tT	C	F	G
	mm	mm	mm	mm	mm	mm	mm
M 80F29-S-100	100.00	28.00	35.00	5.00	28.00	51.00	78.50

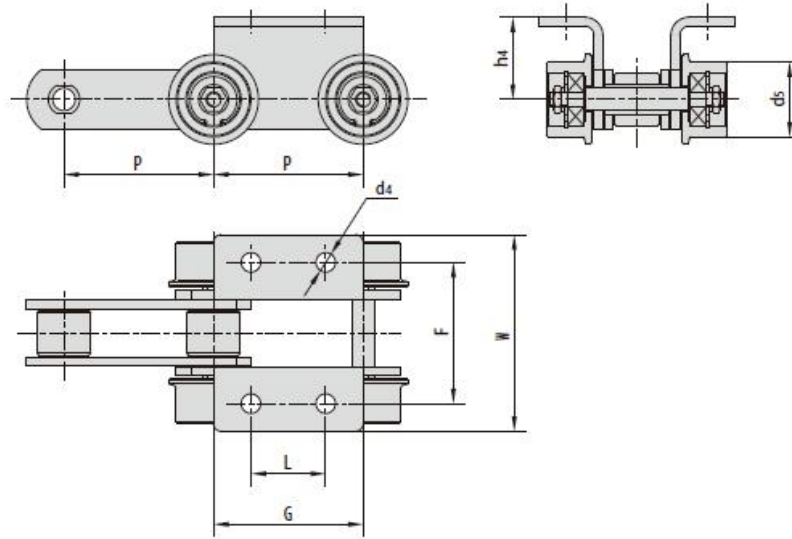


Chain No.	P	b ₁	h ₂	tT	C	F	G
	mm	mm	mm	mm	mm	mm	mm
M 80F41-P-100	100.00	28.00	35.00	5.00	40.00	75.00	29.00

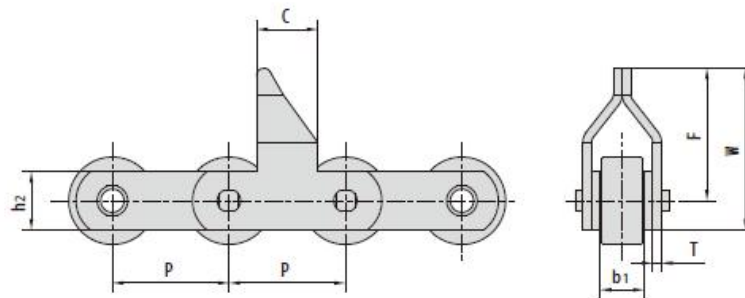
带SD附件
With SD attachment



Chain No.	P	d ₁	b ₁	h ₂	C	E	F	W	d ₄
	mm	mm	mm	mm	mm	mm	mm	mm	mm
M 112F52SD-B-100	100.00	21.00	32.00	40.00	70.00	80.00	120.00	172.00	12.00



Chain No.	P	L	G	F	W	h4	d4	ds
	mm	mm	mm	mm	mm	mm	mm	mm
M 112F34-P-100	100.00	50.00	100.00	95.00	130.00	55.00	13.00	50.00



Chain No.	P	b1	h2	T	C	F	W
	mm	mm	mm	mm	mm	mm	mm
M 112F39-P-80	80.00	32.00	40.00	6.00	42.00	91.00	111.00