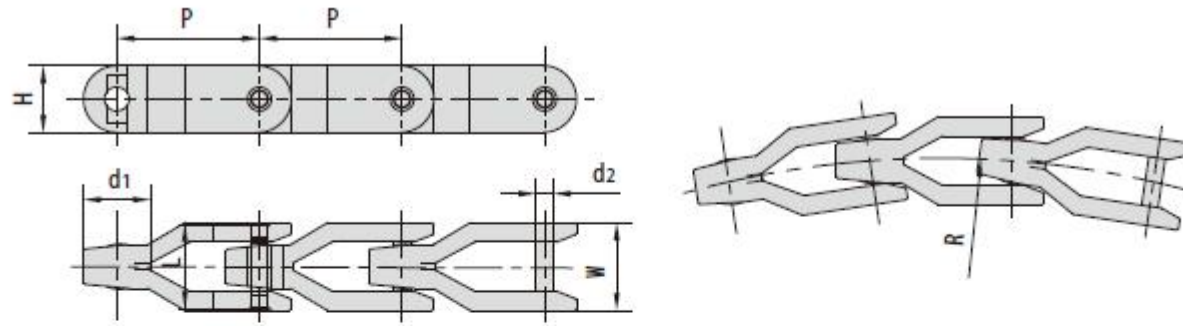


Chain No.	节距 Pitch	节距 Pitch	内链板厚度 Thickness of inner plates	销轴直径 Pin diameter	销轴长度 Pin length	链板尺寸 Plate dimension		侧弯半径 Side bow radius	抗拉强度 Tensile strength	平均抗拉强度 Average tensile strength	每米长重 Weight per meter
	P <sub>1</sub>	P <sub>2</sub>	T	d <sub>2</sub> max	L max	H max	t	R min	Q min	Q <sub>0</sub>	q
	mm	mm	mm	mm	mm	mm	mm	mm	kN/bf	kN	kg/m
3500	63.5	76.2	15.9	14.27	37.0	32.0	6.3	508.0	160.0/36363	196.0	5.14



Chain No.	节距 Pitch	销轴直径 Pin diameter	销轴长度 Pin length	链板尺寸 Plate dimension			侧弯半径 Side bow radius	抗拉强度 Tensile strength	每米长重 Weight per meter
	P	d <sub>2 max</sub>	L	H <sub>max</sub>	W <sub>max</sub>	d <sub>1</sub>	R <sub>min</sub>	Q <sub>min</sub>	q
	mm	mm	mm	mm	mm	mm	mm	kN/bf	kg/m
CC 1400	81.3	9.5	48.0	38.5	50.0	38.0	500	30.0/6818	1.99