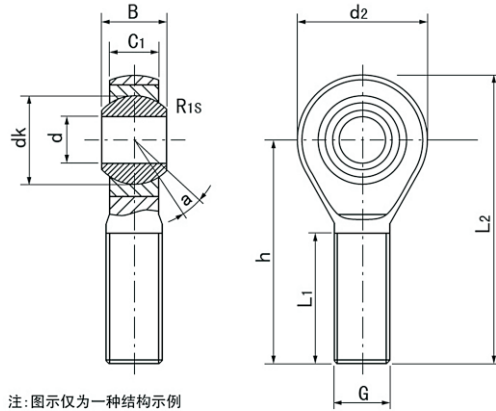


# 关节轴承

## MALE THREAD ROD END BEARING · 鱼眼球头杆端关节轴承



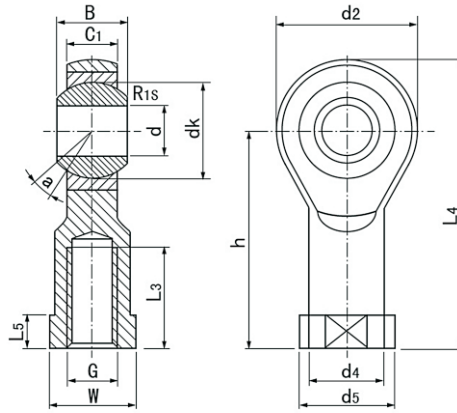
注: 图示仅为一种结构示例

外螺纹杆端关节轴承包括一个孔状头，孔状头带有整体式杆端，构成了一个球面滑动轴承的杆端座。通常，外螺纹杆端关节轴承带有左旋（反牙）或右旋（正牙）螺纹。关节轴承具有载荷能力大，抗冲击，抗腐蚀、耐磨损、自调心、润滑好等特点。

型号 Bearing Number	尺寸 (Dimensions)											负荷KN Load ratings		重量kg Weight
	d	B	dk	c1 max	d2 max	G 6H	h	L1 min	L3 min	R1s min	a	动dyn.c	静stat.c	
SA5T/K	5	8	11.112	6	18	M5	33	19	42	0.3	13	5.7	6.0	0.013
SA6T/K	6	9	12.7	6.75	20	M6	36	21	46	0.3	13	7.2	7.65	0.015
SA8T/K	8	12	15.88	9	24	M8	42	25	54	0.3	14	11.6	12.9	0.034
SA10T/K	10	14	19.05	10.5	28	M10	48	28	62	0.6	13	14.5	18.0	0.071
SA12T/K	12	16	22.23	12	32	M12	54	32	70	0.6	13	17	24	0.11
SA14T/K	14	19	25.4	13.5	36	M14	60	36	78	0.6	16	24	31	0.13
SA16T/K	16	21	28.58	15	42	M16	66	37	87	0.6	15	28.5	39	0.22
SA18T/K	18	23	31.75	16.5	44	M18 × 1.5	72	41	90	0.6	15	42.5	47.5	0.29
SA20T/K	20	25	34.93	18	50	M20 × 1.5	78	45	103	0.6	14	42.5	57	0.36
SA22T/K	22	28	38.1	20	54	M22 × 1.5	84	48	111	0.6	15	57	68	0.49
SA25T/K	25	31	42.86	22	60	M24 × 2	94	55	124	0.6	15	68	85	0.65
SA28T/K	28	35	47.63	24	66	M27 × 2	103	62	136	0.6	15	86	107	0.87
SA30T/K	30	37	50.8	25	70	M30 × 2	110	66	145	0.6	17	88	114	1.1
SA35T/K	35	43	57.1	28	81	M36 × 2	140	85	180.5	0.6	16			1.64
SA40T/K	40	49	66.6	33	91	M42 × 2	150	90	195.5	1.0	17			2.4
SA50T/K	50	60	82.5	45	117	M48 × 2	185	105	243.5	1.0	12			4.8

# 关节轴承

## FEMALE THREAD ROD END BEARING · 鱼眼杆端关节轴承



注:图示仅为一种结构示例

The rod end sleeve bearing includes a head with a one-piece rod end that forms the rod end of a spherical plain bearing. Typically, rod end bearings have a left or right female (female) or male (male). Joint bearing with load capacity, impact resistance, corrosion resistance, wear resistance self-aligning, lubrication and so on.

型号 Bearing Number	尺寸 (Dimensions)														负荷KN Load ratings		重量g Weight
	d	d <sub>3</sub> 6H	B	C <sub>1</sub>	W	h <sub>1</sub>	d <sub>2</sub>	L <sub>4</sub>	L <sub>5</sub>	d <sub>4</sub>	d <sub>5</sub>	dk	L <sub>3</sub> min	a	动dyn.c	静stat.c	
SI5T/K	5	M5×0.8	8	6	9	27	18	36	4	8.5	11	11.11	10	13	5.70	6.00	16
SI6T/K	6	M6×1.0	9	6.75	11	30	20	40	5	10	13	12.70	12	13	7.20	7.65	22
SI8T/K	8	M8×1.25	12	9	14	36	24	48	5	12.5	16	15.8753	16	14	11.6	12.9	47
SI10T/K	10	M10×1.5	14	10.5	17	43	28	57	6.5	15	19	19.05	20	13	14.5	18.0	77
SI10-1T/K	10	M10×1.25	14	10.5	17	43	28	57	6.5	15	19	19.05	20	13	14.5	18.0	77
SI12T/K	12	M12×1.75	16	12	19	50	32	66	6.5	17.5	22	22.225	22	13	17.0	24.0	100
SI12-1T/K	12	M12×1.25	16	12	19	50	32	66	6.5	17.5	22	22.225	22	13	17.0	24.0	100
SI14T/K	14	M14×2.0	19	13.5	22	57	36	75	8	20	25	25.40	25	16	24.0	31.0	160
SI14-1T/K	14	M4×1.5	19	13.5	22	57	36	75	8	20	25	25.40	25	16	24.0	31.0	160
SI16T/K	16	M16×2.0	21	15	24	64	40	84	8	22	27	28.575	28	15	28.5	39.0	220
SI16-1T/K	16	M16×1.5	21	15	24	64	40	84	8	22	27	28.575	28	15	28.5	39.0	220
SI18T/K	18	M18×1.5	23	16.5	27	71	44	93	10	25	31	31.75	32	15	42.5	47.5	320
SI20T/K	20	M20×1.5	25	18	30	77	50	102	10	27.5	34	34.925	33	14	42.5	57.0	420
SI22T/K	22	M22×1.5	28	20	32	84	54	111	12	30	38	38.10	37	15	57.0	68.0	540
SI25T/K	25	M24×2.0	31	22	36	94	60	124	12	33.5	42	42.85	42	15	68.0	85.0	720
SI28T/K	28	M27×2.0	35	24	41	103	66	136	14	37	46	47.60	51	15	86.0	107.0	820
SI30T/K	30	M30×2.0	37	25	41	110	70	145	15	40	50	50.80	51	17	88.0	114.0	1100
SI30-1T/K	30	M27×2.0	37	25	41	110	70	145	15	40	50	50.80	51	17	88.0	114.0	1100
SI35T/K	35	M36×2.0	43	28	50	125	81	165.5	17	46	58	57.10	56	16	101	206	1600
SI40T/K	40	M42×2.0	49	33	55	142	91	187.5	19	53	65	66.60	60	17	124	280	2400
SI50T/K	50	M48×2.0	60	45	65	160	117	218.5	23	65	75	82.50	65	12	308	485	5000