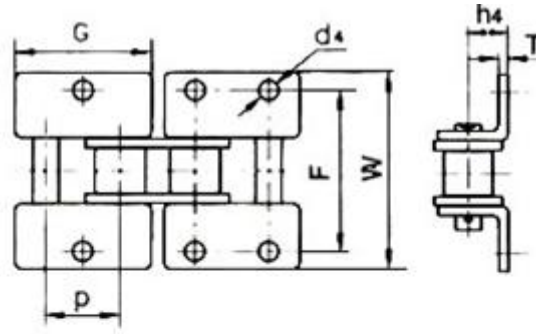
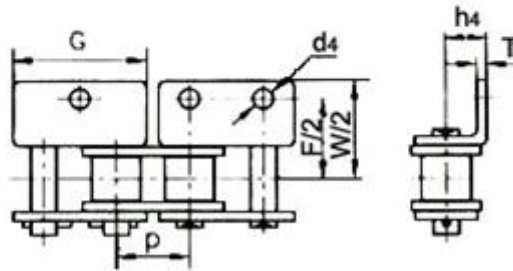


DIN ISO	ANSI	P	G	C	F	T	D4
CHAIN NO.	CHAIN NO.	MM	MM	MM	MM	MM	MM
08A	40	12.7	9.5	12.7	19.05	1.5	3.4
10A	50	15.875	12.7	15.9	25.25	2.03	5.5
12A	60	19.05	15.9	18.3	29.33	2.42	5.5
16A	80	25.4	19.1	24.6	34.7	3.25	6.8
20A	100	31.75	25.4	31.8	43.3	4	9.2
24A	120	38.1	28.6	36.5	51.6	4.8	11
28A	140	44.45	34.9	44.5	62	5.6	11.4
32A	160	50.8	38.1	50.8	69.85	6.4	13.1
*06B		9.525	8	9.52	13.5	1.3	3.5
08B		12.7	9.5	13.35	18.9	1.6	4.5
10B		15.875	14.3	16.5	22.95	1.7	5.3
12B		19.05	16	21.45	28.6	1.85	6.4
16B		25.4	19.1	23.15	34	3.1	6.4

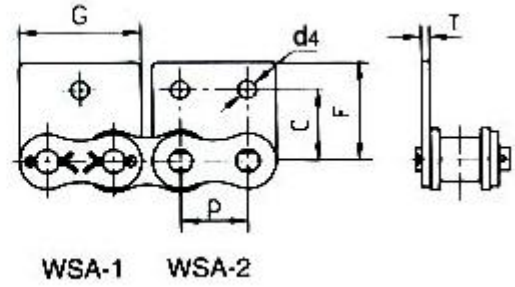
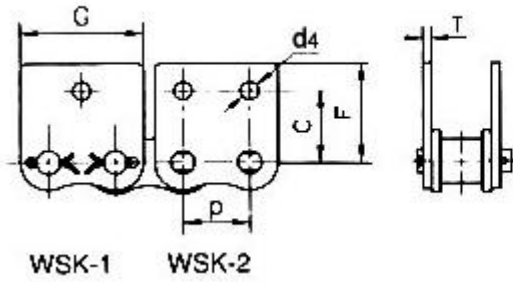


WK-1 WK-2



WA-1 WA-2

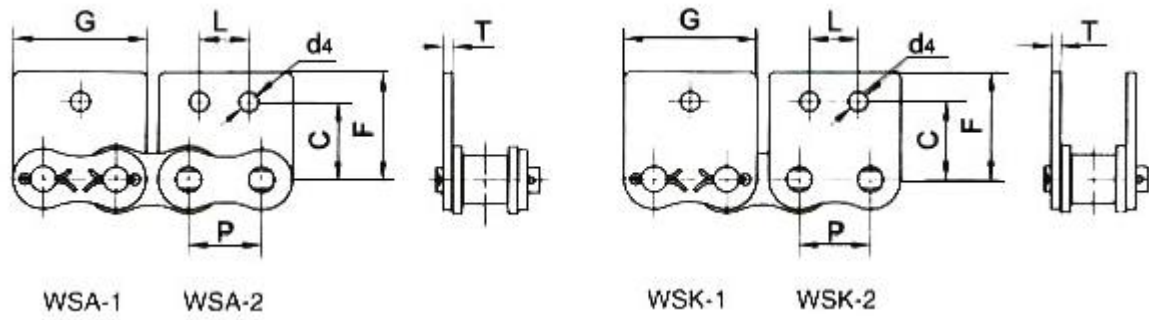
DIN ISO	P	G	F	W	T	H4	D4
CHAIN NO.	MM	MM	MM	MM	MM	MM	MM
08B	12.7	23.3	25.4	36.4	1.6	8.9	4.3
10B	15.875	29.58	31.76	44.6	1.7	10.31	5.3
12B	19.05	34.05	38.1	52.4	1.85	11.4	6.4
16B	25.4	46.4	50.8	72.6	3.1	15.88	6.4



DIN ISO	ANSI CHAIN NO.	P	G	L	F	W	T	H4	D4
CHAIN NO.		MM	MM	MM	MM	MM	MM	MM	MM
08A	40	12.7	23.1	9.5	25.4	35.6	1.5	8	4.5
10A	50	15.875	28.88	11.9	31.8	46.8	2.03	10.3	5.5
12A	60	19.05	34.65	14.3	38.1	56.4	2.42	11.9	6.6
16A	80	25.4	45.9	19.1	50.8	73.2	3.25	15.9	9
20A	100	31.75	57.65	23.8	63.5	89.8	4	19.8	11



HANGZHOU OCEAN INDUSTRY CO., LTD.



DIN ISO	ANSI	P	G	L	C	F	T	D4
CHAIN NO.	CHAIN NO.	MM	MM	MM	MM	MM	MM	MM
08A	40	12.7	23.1	9.5	12.7	17.4	1.5	4.5
10A	50	15.875	28.88	11.9	15.9	23.05	2.03	5.5
12A	60	19.05	34.65	14.3	18.3	26.86	2.42	6.6
16A	80	25.4	45.9	19.1	24.6	35.45	3.25	9
20A	100	31.75	57.65	23.8	31.8	44	4	11

China chain manufacturer, chinese pulley supplier, produce: Transmission chain(Driving Chain), Conveyor Chain - roller chain, Engineering Chain, Stainless Steel Chain, Lifting Chain, Agricultural Chain, Forging Series, Cast Iron Chain. We can produce as per customer's drawing or sample. Please feel free to send us your detail enquiries. E-mail: oceanindustry@vip.163.com