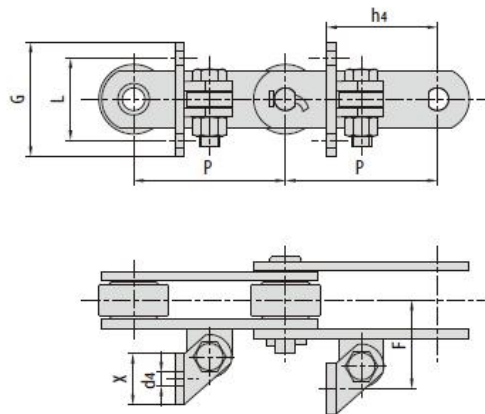


Chain No.	节距 Pitch	滚子直径 Roller diameter	内节内宽 Width between inner plates	销轴直径 Pin diameter	销轴长度 Pin length	链板高度 Plate depth	链板厚度 Plate thickness	抗拉强度 Tensile strength	平均抗拉强度 Average tensile strength	每米长重 Weight per meter
	p	d <sub>1 max</sub>	b <sub>1</sub>	d <sub>2 max</sub>	L <sub>max</sub>	h <sub>2 max</sub>	T <sub>max</sub>	Q <sub>n</sub> kN/bf	Q <sub>0</sub> kN	q kg/m
	mm	mm	mm	mm	mm	mm	mm			
SM 102*	102.00	36.00	42.00	16.00	92.00	45.00	8.00	210.0/47208	230.0	11.59
SM 101.6F4*	101.60	42.00	32.00	17.50	83.00	45.00	8.00	281.5/63281	309.7	12.30
SM 101.6F7*	101.60	36.50	41.30	15.88	94.30	44.50	7.90	191.1/42959	210.0	11.84
SM 101.6F10	101.60	50.80	32.60	17.50	83.00	44.50	7.90	138.1/31045	151.9	13.29
P 152F77	152.40	76.20	35.00	22.23	95.10	50.80	9.52	263.0/59122	290.0	17.98
P 152F 151	152.40	76.20	36.00	22.20	98.00	52.00	10.00	361.3/81220	397.4	19.10
SM 152F16	152.40	76.20	37.00	24.00	110.00	64.00	12.00	600.0/134880	660.0	26.20
SM 152F54	152.40	76.20	35.00	22.43	96.00	50.80	9.50	263.0/59122	290.0	17.90
SM 203.2F8	203.20	88.90	46.10	25.40	122.00	76.20	12.70	700.0/157360	770.0	31.10
SM 228.6F3*	228.60	63.50	73.20	31.75	157.00	82.60	14.20	250.0/56200	275.0	33.60
SM 228.6F4	228.60	89.00	37.00	25.40	102.00	65.00	10.00	466.0/104756	512.5	21.20
SM 228.6F6	228.60	99.00	46.00	32.00	137.00	86.00	16.00	1150.0/258520	1265.0	41.80
SM 228.6F8	228.60	99.00	47.00	32.00	126.00	86.00	12.70	920.0/206816	1012.0	34.20

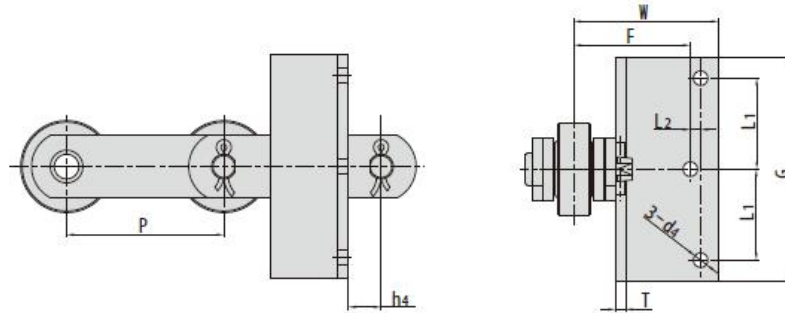
\*套筒链：表中滚子直径d1为套筒直径  
 \*Bush chain: d1 in the table indicates the external diameter of the bush.

带AS2附件  
 With AS2 attachment



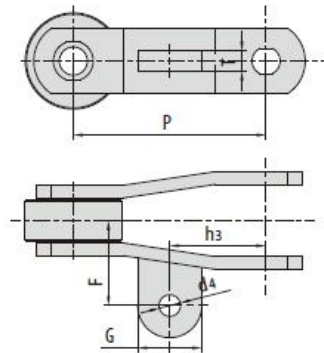
Chain No.	P	G	L	F	X	h <sub>4</sub>	d <sub>4</sub>
	mm	mm	mm	mm	mm	mm	mm
P 152F78-AS2	152.40	114.30	82.55	88.90	50.80	111.12	14.30
DH 2600-AS2	152.40	127.00	88.90	120.70	50.80	143.00	14.20
DH 2600-AS2F2	152.40	127.00	88.90	120.60	50.80	146.00	13.50

带F3附件  
With F3 attachment



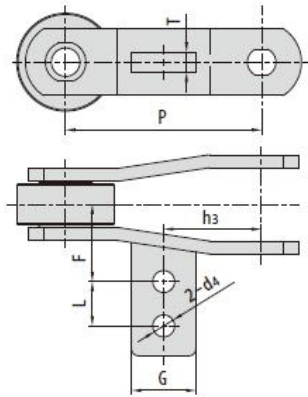
Chain No.	P mm	F mm	W mm	h4 mm	d4 mm	G mm	L1 mm	L2 mm
P 152F88-F3	152.40	112.80	140.10	31.75	14.00	216.00	88.00	10.00

带A1附件  
With A1 attachment

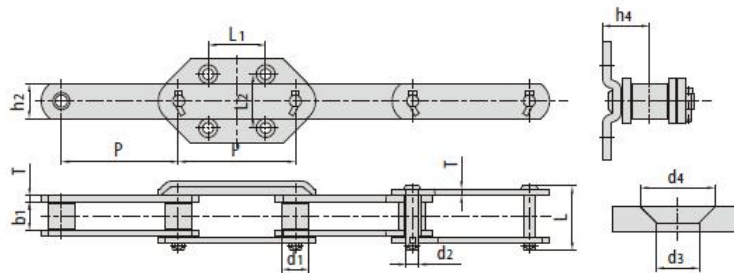


Chain No.	P mm	F mm	G mm	d4 mm	h3 mm	T mm
SM 101.6F5-A1	101.6	70.0	40.0	17.0	42.0	12.0
SM 101.6F7-AS2	101.6	63.6	38.1	13.0	50.0	9.5
SM 101.6F10-A1	101.6	54.0	42.0	16.7	50.8	12.7
P 152F77-AS2F3	152.4	66.7	65.0	17.0	76.2	16.0
P 152F148-AS2	152.4	68.0	-	22.0	74.0	16.0
P 152F151-A1	152.4	67.5	50.8	17.0	76.0	16.0
SM 228.6F4-AS2	228.6	80.0	-	21.0	95.0	20.0
SM 228.6F8-AS2	228.6	83.0	-	21.0	120.0	16.0
SM 203.2F7-A1F1	203.2	81.7	58.0	20.0	101.6	16.0
SM 203.2F8-AS2	203.2	82.0	-	21.0	102.0	16.0

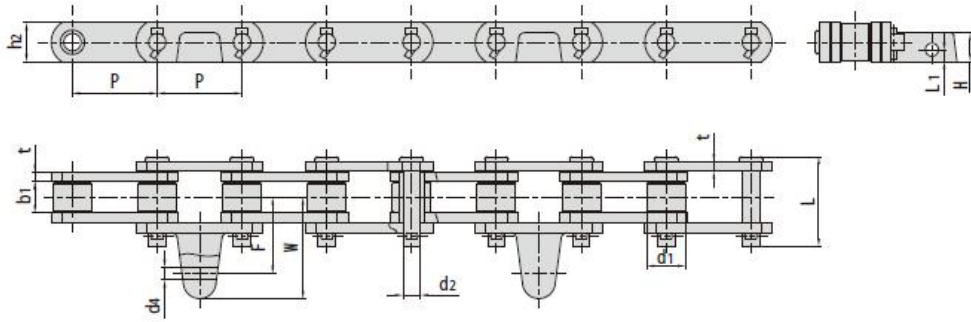
带A2附件  
With A2 attachment



Chain No.	P	F	G	d4	h3	L	T
	mm	mm	mm	mm	mm	mm	mm
P152F77-A2	152.4	60.0	50.0	17.0	76.0	34.5	16.0
P152F151-A2	152.4	60.0	50.0	17.0	76.0	34.5	16.0
SM152F54-A2	152.4	60.0	50.0	17.0	76.0	34.5	16.0
SM203.2F8-AS2F3	203.8	74.5	65.0	21.0	102.0	34.5	15.0
SM203.2F8-AS2F5	203.8	74.5	65.0	21.0	102.0	50.0	15.0



Chain No.	节距 Pitch	滚子直径 Roller diameter	内节内宽 Width between inner plates	销轴直径 Pin diameter	销轴长度 Pin length	链板高度 Plate depth	链板厚度 Plate thickness	抗拉强度 Tensile strength	每米重量 Weight per meter
	P	d1 max	b1	d2 max	L max	h2 max	T max	Q min	q
	mm	mm	mm	mm	mm	mm	mm	kN/bf	kg/m
P152F169SS-G4	152.4	34.9	37.1	15.9	83.5	44.5	8.0	190/42712	10.34
	P	L1	L2	h4	d3	d4			
	mm	mm	mm	mm	mm	mm			
P152F169SS-G4	152.4	75.0	70.0	46.0	14.0	24.4			



Chain No.	节距 Pitch P	滚子直径 Roller diameter d <sub>1</sub>	内节内宽 Width between inner plates b <sub>1</sub>	销轴直径 Pin diameter d <sub>2</sub>	销轴长度 Pin length L	链板高度 Plate depth h <sub>2</sub>	链板厚度 Plate thickness t	抗拉强度 Tensile strength Q <sub>m</sub>	每米长重 Weight per meter q
	p	d <sub>1</sub> max	b <sub>1</sub>	d <sub>2</sub> max	L max	h <sub>2</sub> max	t max	Q <sub>m</sub> kN/bf	q kg/m
P69.85F6-G19	69.85	31.75	25.3	14.27	73.5	31.75	8.0	130.0/29224	9.46

Chain No.	P	F	W	d <sub>4</sub>	L <sub>1</sub>	H
	mm	mm	mm	mm	mm	mm
P69.85F6-G19	69.85	62.27	80.8	11.0	9.8	24