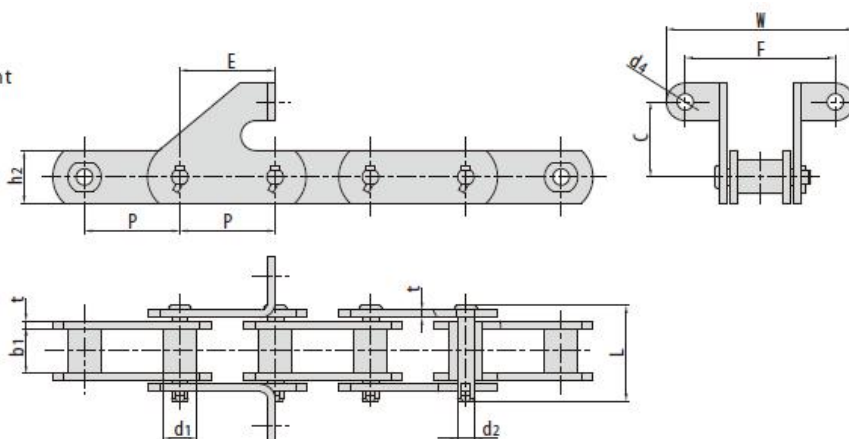
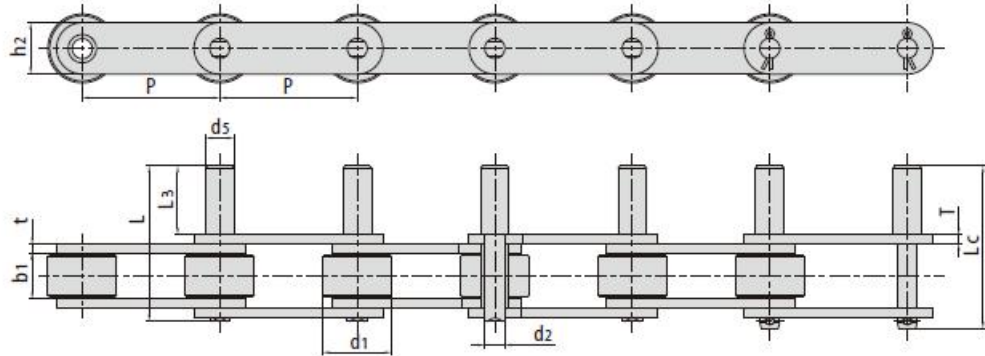


Chain No.	节距 Pitch	套筒直径 Bush diameter	内节内宽 Width between inner plates	销轴尺寸 Pin diameter		链板尺寸 Plate dimension		附件尺寸 Attachment dimension					抗拉强度 Tensile strength	
	P	d3 max	b1	d2 max	L max	h2	t/T	F	W	h4	d4	C	L1	Q <sub>min</sub> kN/bf
SM 160F4	160.0	48.0	55.7	25.27	123.03	63.5	9.5	130.0	180.0	32.0	14.0	132.3	65.0	400.89920
SM 200F1-PUSHER	200.0	48.0	55.7	25.27	123.03	63.5	9.5	120.0	158.8	76.2	14.0	91.0	50.0	350.78680

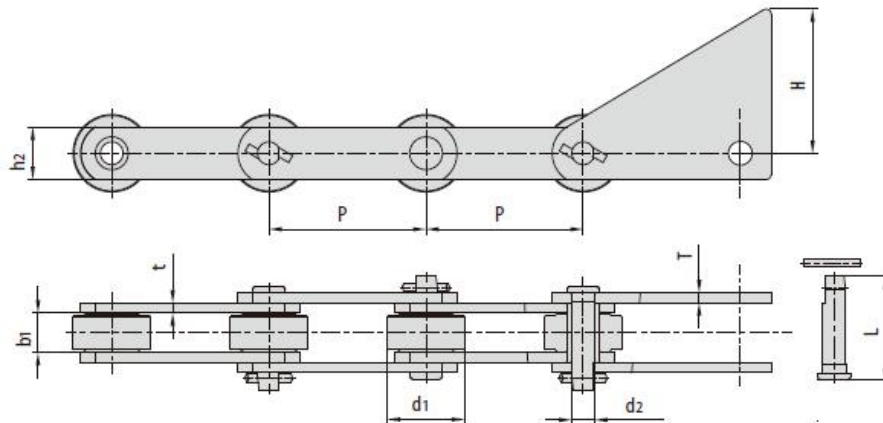
带SD附件  
With SD attachment



Chain No.	节距 Pitch	滚子直径 Roller diameter	内节内宽 Width between inner plates	销轴直径 Pin diameter	销轴长度 Pin length	链板高度 Plate depth	链板厚度 Plate thickness	附件尺寸 Attachment dimension					抗拉强度 Tensile strength
	P	d1 max	b1	d2 max	L max	h2 max	t max	F	W	d4	C	E	Q <sub>min</sub> kN/bf
SM 63.5SD	63.5	22.22	30.0	11.0	63.5	35.0	5.0	100.0	125.0	11.0	35.0	63.5	80.17984
SM 76.2SD	72.6	22.22	25.4	11.0	59.0	35.0	5.0	93.0	118.0	11.0	50.0	76.2	100.22480

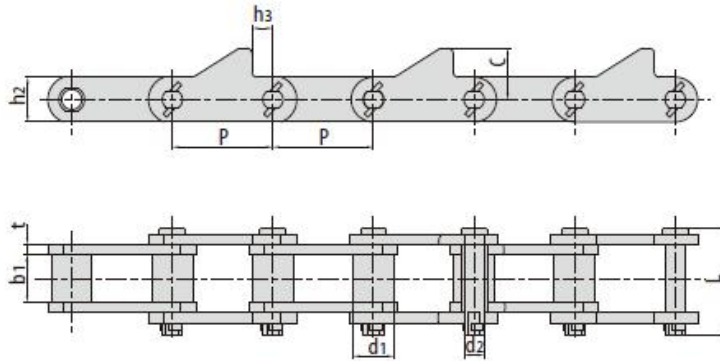


Chain No.	节距 Pitch	滚子直径 Roller diameter	内节内宽 Width between inner plates	销轴尺寸 Pin diameter					链板尺寸 Plate dimension		抗拉强度 Tensile strength	每米长重 Weight per meter
	P	d1 max	b1	d2 max	d5 max	L max	Lc max	L3	h2	t/T	Q min	q
	mm	mm	mm	mm	mm	mm	mm	mm	mm	mm	kN/bf	kg/m
P76.2F72-D3	76.2	38.1	25.2	11.1	15.75	86	90.1	38.1	28.5	4.8	58/13038	6.3

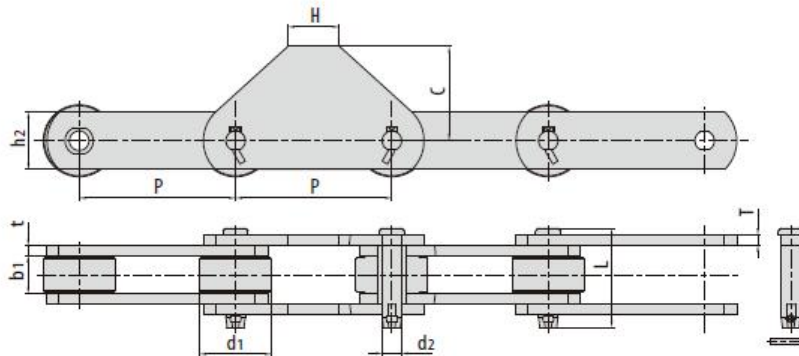


Chain No.	节距 Pitch	滚子直径 Roller diameter	内节内宽 Width between inner plates	销轴尺寸 Pin diameter		链板尺寸 Plate dimension			抗拉强度 Tensile strength
	P	d1 max	b1	d2 max	L max	h2	t/T	H	Q min
	mm	mm	mm	mm	mm	mm	mm	mm	kN/bf
P100F243	100.0	56.00	30.0	16.00	76.0	45.0	8.00	100.0	240/53952
S102BF7*	101.6	25.40	54.0	15.70	110.5	38.1	9.50	95.3	160/35968
S111F4*	120.9	36.58	66.5	19.05	126.0	50.8	9.70	50.8	214/48107
SM 152F11	152.4	75.00	38.4	22.08	100.4	50.8	9.53	139.7	260/58448

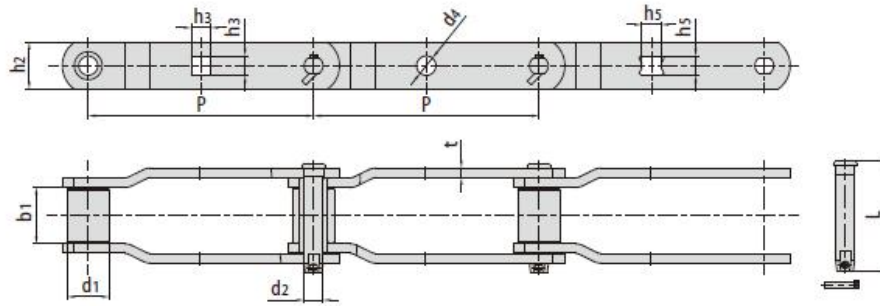
\*套筒链：表中滚子直径d1为套筒直径  
 \*Bush chain: d1 in the table indicates the external diameter of the bush.



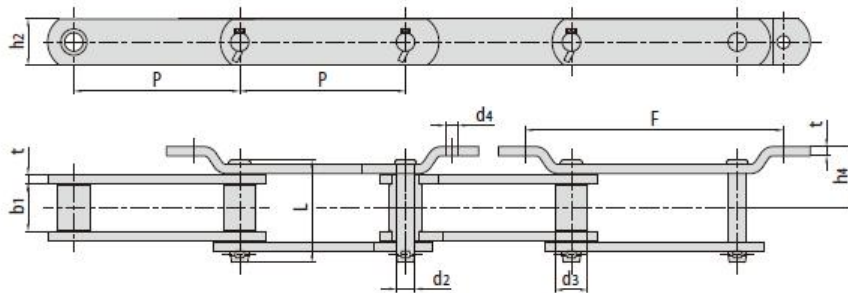
Chain No.	节距 Pitch	滚子直径 Roller diameter	内节内宽 Width between inner plates	销轴尺寸 Pin diameter		链板尺寸 Plate dimension				抗拉强度 Tensile strength	每米长重 Weight per meter
	p	d1 max	b1	d2 max	L max	h2	t	h3	C	Q min	q
	mm	mm	mm	mm	mm	mm	mm	mm	mm	kN/bf	kg/m
P78.11F25	78.11	32.60	37.0	15.90	89.00	38.0	8.0	11.6	58.0	190/42715	12.2
SM 78.75F1	78.75	31.75	37.0	15.88	87.00	38.0	8.0	16.4	41.0	140/31472	10.9



Chain No.	节距 Pitch	滚子直径 Roller diameter	内节内宽 Width between inner plates	销轴尺寸 Pin diameter		链板尺寸 Plate dimension				抗拉强度 Tensile strength
	p	d1 max	b1	d2 max	L max	h2	t/T	C	H	Q min
	mm	mm	mm	mm	mm	mm	mm	mm	mm	kN/bf
SM 152F59	152.4	70.00	36.5	17.00	96.2	56.0	10.0	92	50.0	380,85424



Chain No.	节距 Pitch	滚子直径 Roller diameter	内节内宽 Width between inner plates	销轴尺寸 Pin diameter		链板尺寸 Plate dimension					抗拉强度 Tensile strength	每米长重 Weight per meter
	p	d1 max	b1 min	d2 max	L max	h2	t	h3	h5	d4	Q min	q
	mm	mm	mm	mm	mm	mm	mm	mm	mm	mm	kN/bf	kg/m
SM 228.6F14	228.6	44.45	49.30	22.23	190.80	63.5	12.70	-	26.1	-	454/102059	18.50
SM 304.8	304.8	82.55	93.70	40.87	198.05	101.6	19.05	-	-	37.69	1500/33720	51.96
SM 304.8F1	304.8	82.30	93.70	47.37	208.76	114.3	19.05	32.54	-	-	880/197824	61.41
SM 304.8F3	304.8	44.45	56.90	22.10	117.70	63.5	9.65	23.11	-	-	450/101160	13.70
SM 304.8F4	304.8	57.15	76.20	25.48	148.05	63.5	12.70	26.16	-	-	520/116896	19.76
SM 304.8F5	304.8	63.50	69.85	31.75	162.54	88.9	15.90	32.54	-	-	1100/24728	33.48
SM 304.8F11	304.8	88.90	105.00	38.10	195.60	101.6	15.70	-	32.5	-	1230/27650	49.62
SM 304.8F13	304.8	57.15	76.20	25.30	148.20	63.5	12.70	-	26.0	-	520/116896	19.90



Chain No.	节距 Pitch	套筒直径 Bush diameter	内节内宽 Width between inner plates	销轴尺寸 Pin diameter		链板尺寸 Plate dimension					抗拉强度 Tensile strength	每米长重 Weight per meter
	p	d3 max	b1	d2 max	L max	h2	t	h4	F	d4	Q min	q
	mm	mm	mm	mm	mm	mm	mm	mm	mm	mm	kN/bf	kg/m
SM 228.6F11	228.6	44.45	63.50	25.40	141.00	63.5	12.70	84	355.6	17.5	543/122066	21.83